

EL 315 E2 01

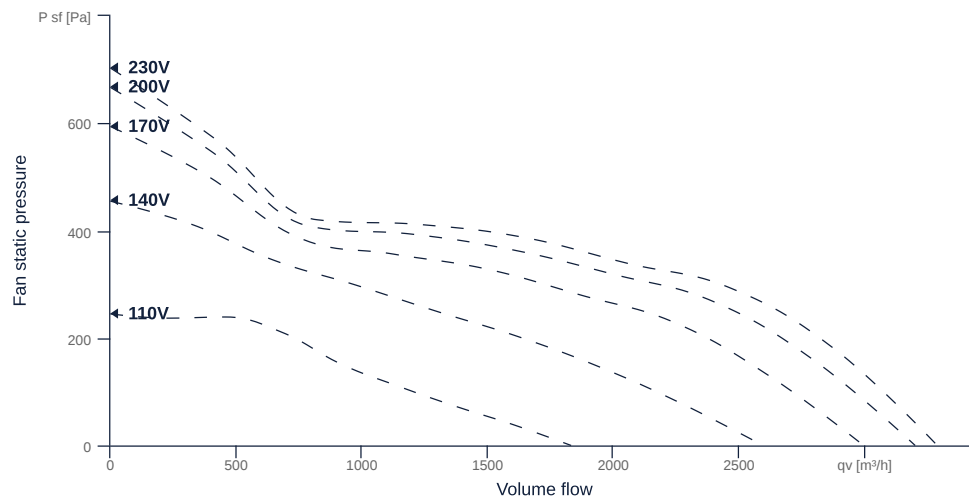
112202

- Innovative, high-efficiency diagonal fan
- Optimally tuned, CFD-optimized aerodynamics
- The benchmark for efficiency since 2007
- Robust single phase AC motor
- Conveyed medium temperature up to 80 °C in continuous operation
- Housing made of galvanized steel sheet



FAN CURVES

Name	Value	Unit
Volume flow	0	m³/h
Pressure	0	Pa



to the product detail page

GENERAL DATA

Name	Value	Unit	Formula symbol
Labeling	CE, UKCA		
Duct size	-		$W \times H_{duct}$
Pipe connection size (DN)	DN315		DN
Rated voltage (entire device)	230	V	U_{rated}
Phases (entire device)	1~		phase
Electrical protection (entire device)	6 A		fuse
Housing material	Galvanized steel		matcasing
Impeller material	Plastic		matimpeller
IP-protection class (entire device)	IPX4		IP_{compl}
IP-Protection class (terminal box)	IP44		IP_{ebox}
Weight	15	kg	m
Fan type	Diagonal		Fan _{type}
Category / Installation situation	A		cat

MAXIMAL DATA

Name	Value		Unit	Formula symbol
	50 Hz	60 Hz		
Max. power consumption (device)	509	775	W	$P_{ed, max}$
Max. operating current (device)	3	3.7	A	$I_{ed, max}$
Max. speed	2840	3275	1/min	n_{max}
Max. stat. efficiency	39	36.8	%	η_{es}
Max. fan efficiency	43.5	39.5	%	η_e
Max. flowrate	3290	3710	m ³ /h	Q_v, max
Max. stat pressure	700	880	Pa	$p_{st, max}$
Max. medium temperature	70	45	°C	T_m, max
Max. environment temperature	70	45	°C	$T_{amb, max}$
Min. environment temperature	-25	-25	°C	$T_{amb, min}$
Min. voltage	110	110	V	U_{min}
Stall current	8.5		A	ILRA



to the product detail page

MOTOR DATA

Name	Value		Unit	Formula symbol
	50 Hz	60 Hz		
Rated frequency (device)		50		f
Motor type		AC 1~		phase
Control type		stepless-controlled		ctrltype
Installation type		IRM (In)		install
Rotation direction		right		rotation
Isolation class		ISO F		ISOclass
Motor-protection		TMI		protectmotor
Protection class		IP54		IPmotor
Is pole-changeable		No		polexch
Type of power supply		AC 1~		pwsupmotor
Capacity capacitor		10	µF	Ccond
Voltage capacitor		400	V	VUcond
Number of poles (1)		2.000000		num polesw1
Rated voltage	230		V	U _{rated, f1}
Rated current	1.9		A	I _{rated, f1}
Shaft power	300		W	P _{out, f1}
Speed	2820		1/min	n _{f1}
Cos Phi	0.990000	0.000000		cos φ
UL-Certification motor		None		ULcert

ERP DATA (LOT11)

Name	Value	Unit	Formula symbol
Speed at the energy efficiency optimum	2758	1/min	n _{opt}
Efficiency level	39.3	%	N
Efficiency category	statisch		catefficiency
Input power of the motor at the energy efficiency optimum	0.47	kW	P _{e, opt}
Overall efficiency	53.2	%	η _{ges}
Measurement category	A		meas cat
Fan pressure at energy efficiency optimum	350	Pa	p _{f, opt}
Flowrate at energy efficiency optimum	1993	m ³ /h	q _{v, opt}

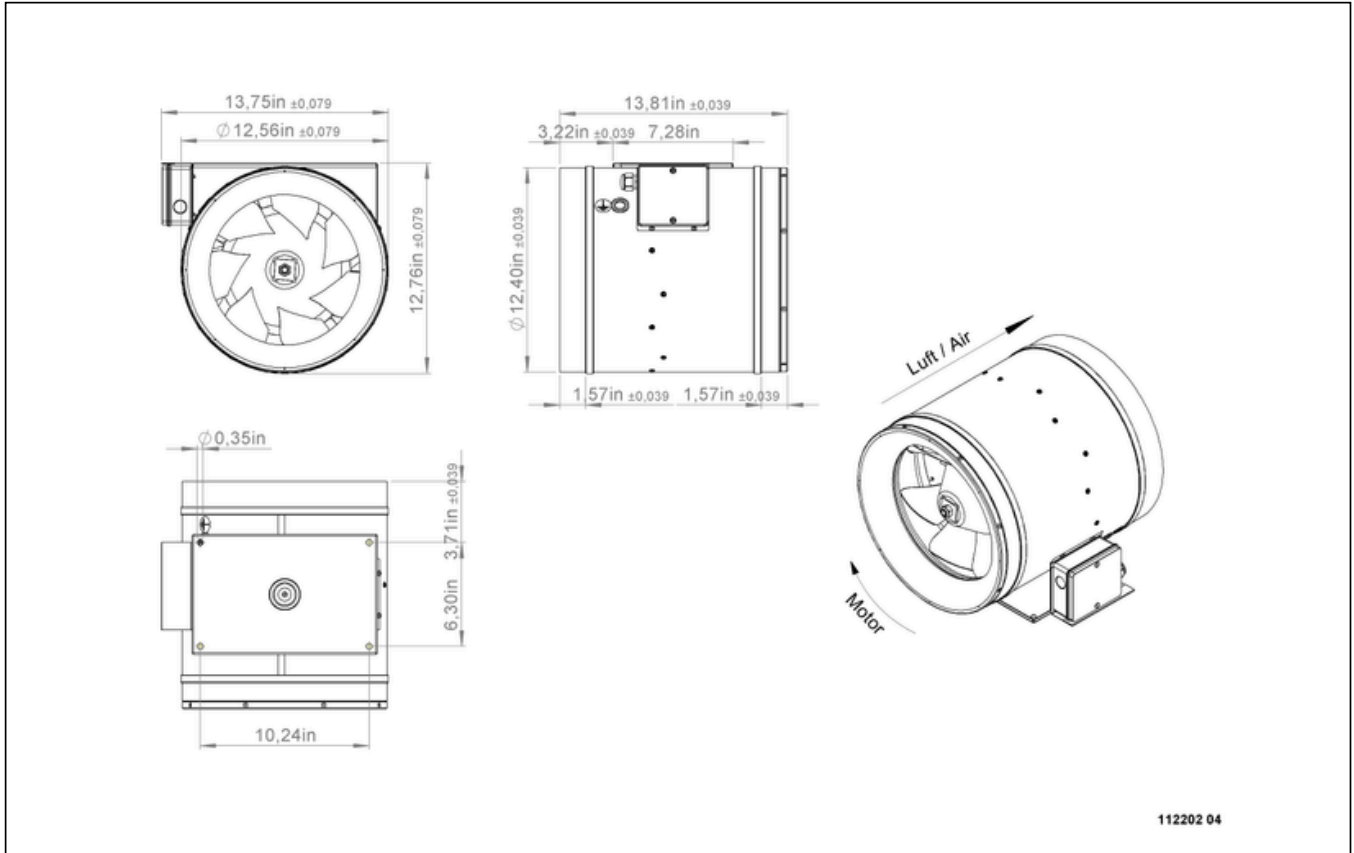


to the product detail page

EL 315 E2 01

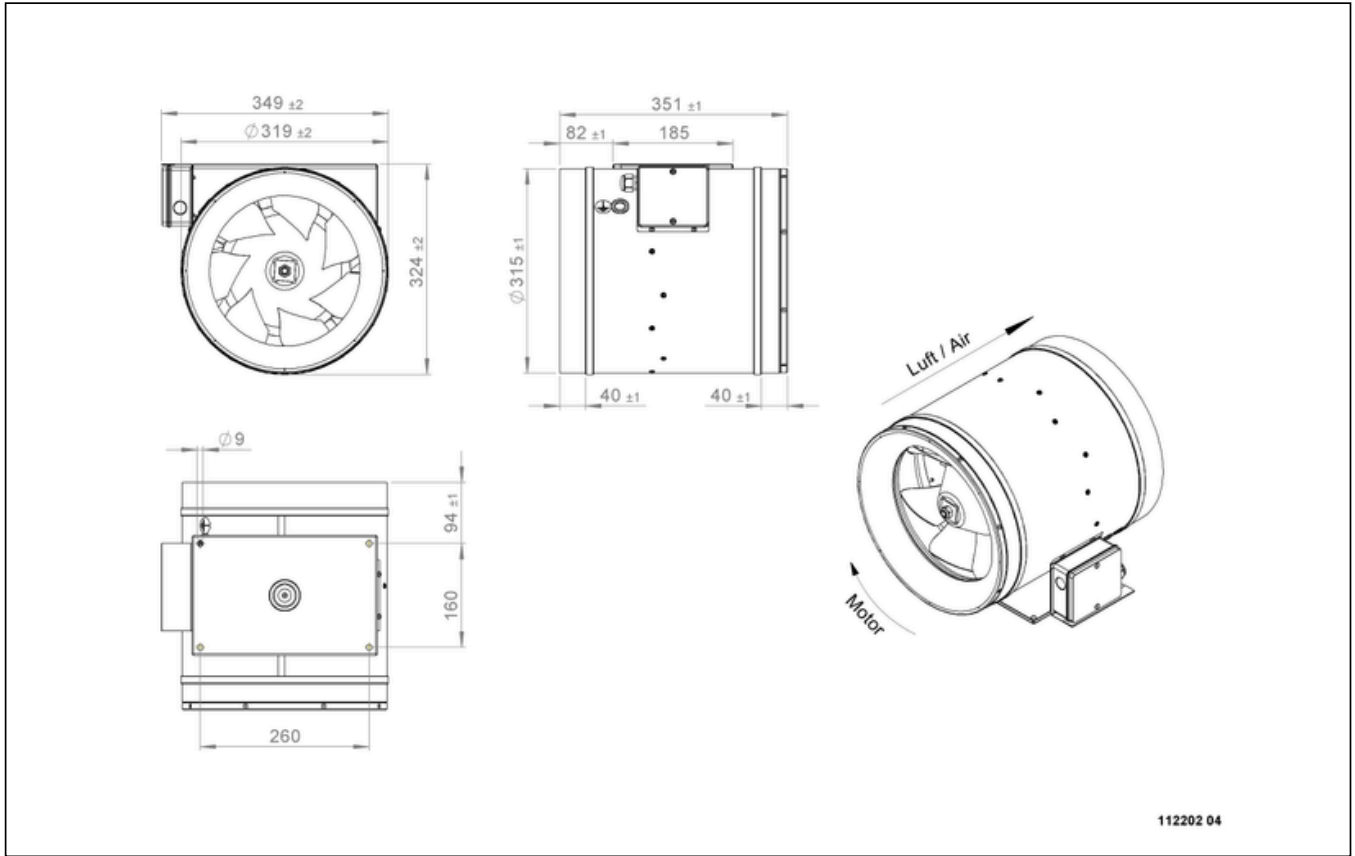
112202

CIRCUIT DIAGRAMS / DIMENSIONAL DRAWINGS



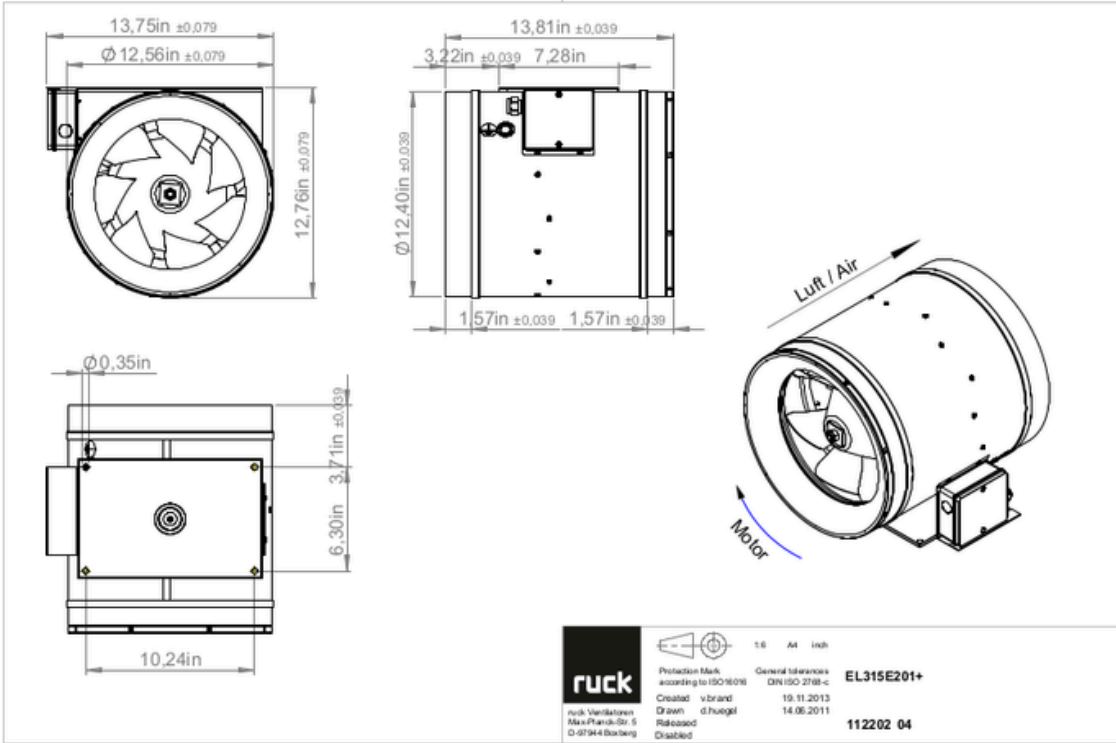
EL 315 E2 01

112202



EL 315 E2 01

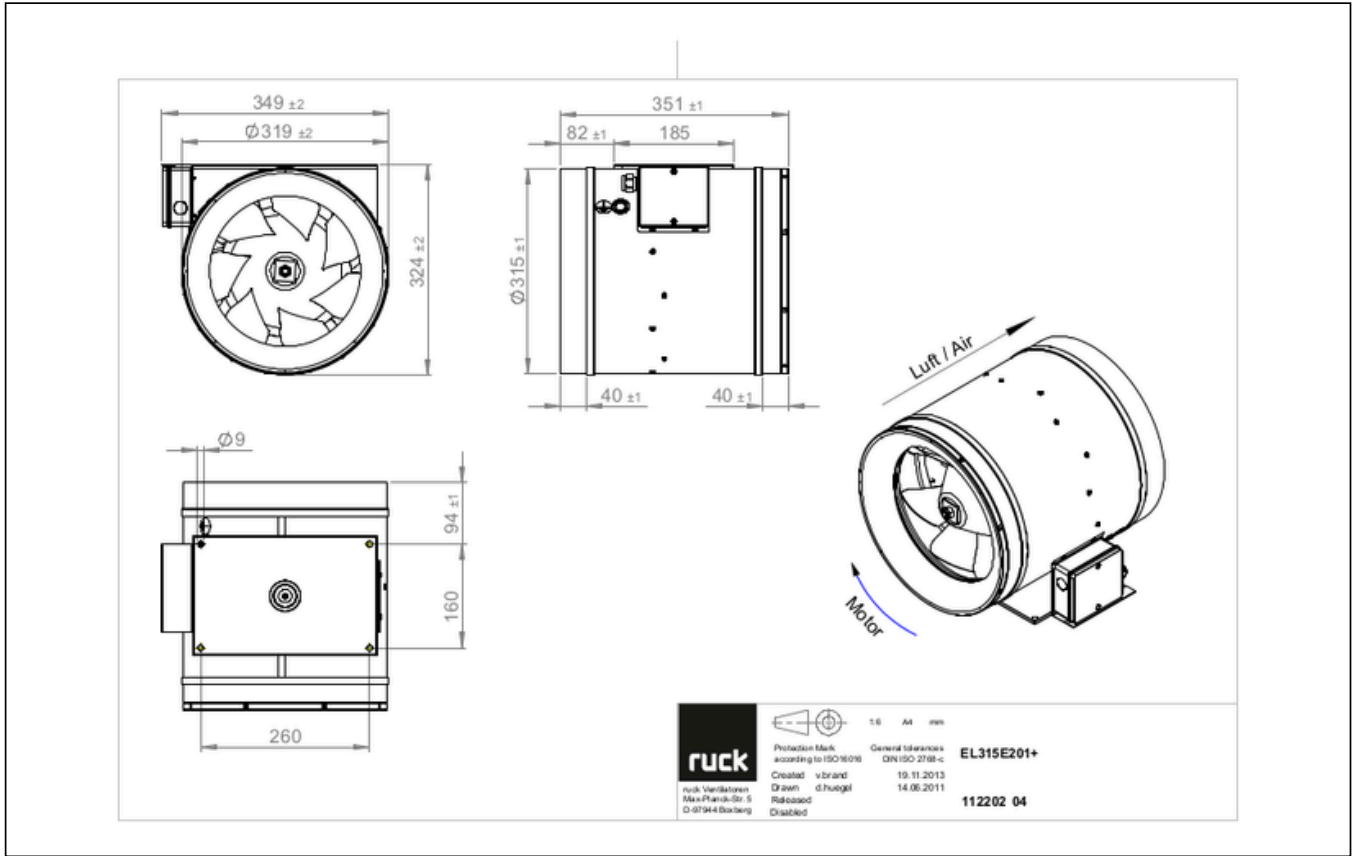
112202

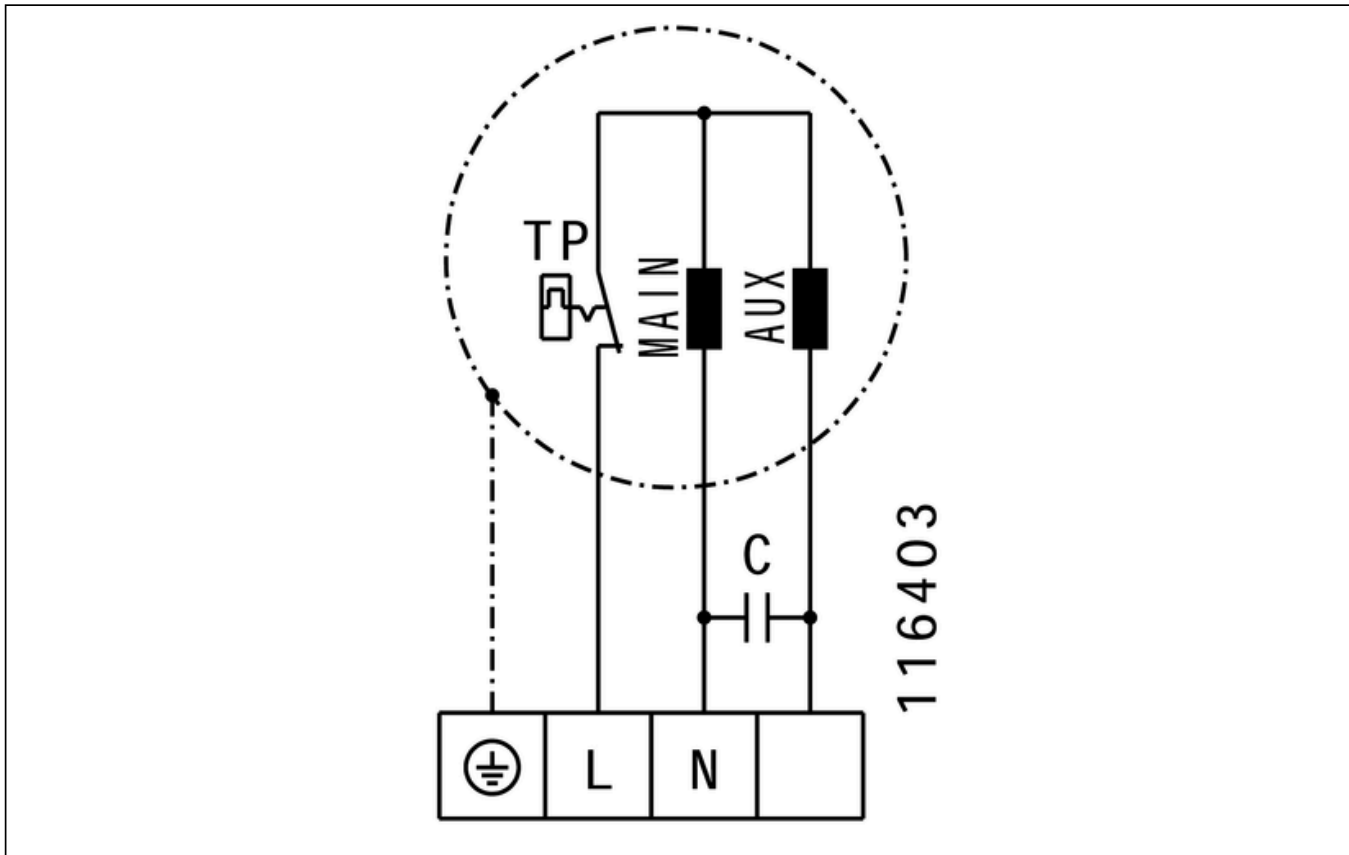


to the product detail page

EL 315 E2 01

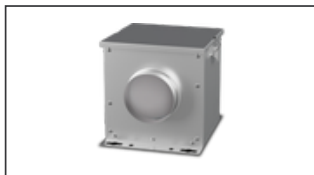
112202





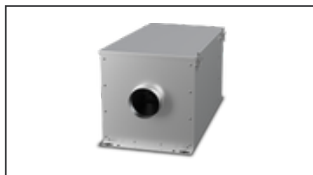
MECHANICAL ACCESSORIES

FV 315 | 112834



- Air filter box with mat filter ISO Coarse 45 % (G3)
- Toggle-type fastener

FT 315 | 112846



- Air filter box for pocket filter
- Toggle-type fastener
- Galvanized steel sheet housing
- Without filter

FTW 315 | 112855



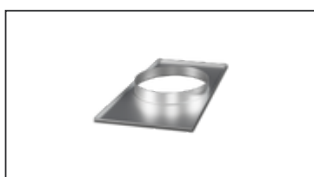
- Air filter box with pocket filter M5
- Integrated warm water heating coil
- Galvanized steel sheet housing
- Toggle-type fastener

RSK 315 | 102664



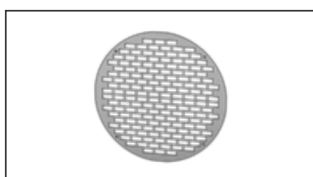
- Back draught shutter for tube fitting
- Galvanized steel sheet housing
- Aluminum flaps

UKR 6030 03 | 114640



- Transition duct / tube
- Steel sheet, galvanized
- 600 x 300 mm / NW 315

SG 315 02 | 112675



- Inlet protection grille for Etaline
- Galvanized steel sheet

RSK 315D | 113489



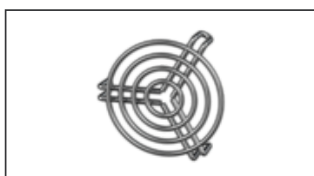
- Back draught shutter for tube fitting
- Galvanized steel sheet housing
- Aluminum flaps
- Integrated gasket

VM 315 | 102652



- Fast clamps for sound decoupling and sealing
- Galvanized steel sheet, 5 mm
- Neopren gasket
- 1 Pack = 2 pieces

SG 315 01 | 169592



- Protection grille for tube connection
- Galvanized wire

ELECTRICAL ACCESSORIES

GS 01 | 102787



- Isolator switch
- Umax = 400 V, 50/60 Hz
- Switching capacity 400 V 3~ = 7,5 kW
- Imax = 25 A

TEM 035 | 103502



- 5-step transformer
- 230 V, 50/60 Hz, 3.5 A
- Output voltage: 230-190-170-140-110-80-0 V
- Protection class IP 54

TES 035 02 | 146195



- 5-step transformer
- 230 V, 50/60 Hz, 3.5 A
- Without housing, control cabinet installation
- Protection class IP 20

