

# EL 315 E2 03

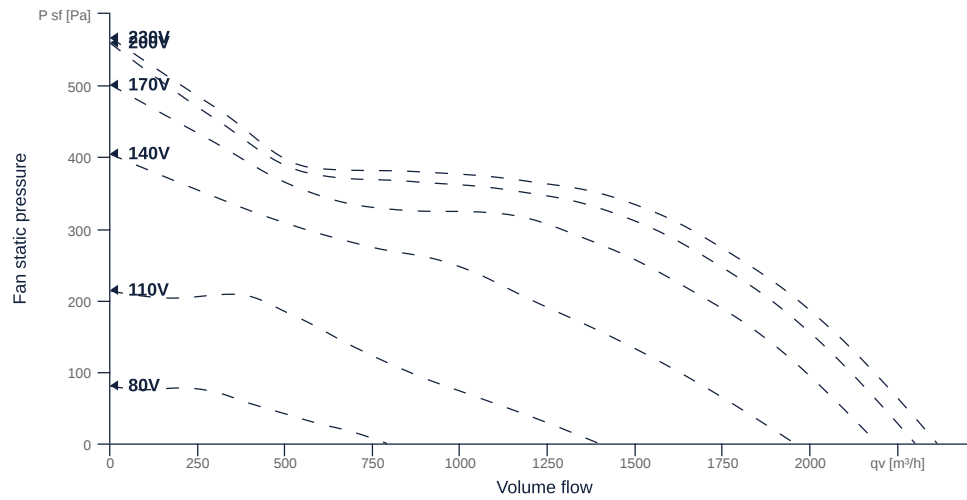
117010

- Innovative, high-efficiency diagonal fan
- Optimally tuned, CFD-optimized aerodynamics
- The benchmark for efficiency since 2007
- Robust single phase AC motor
- Conveyed medium temperature up to 80 °C in continuous operation
- Housing made of galvanized steel sheet



## FAN CURVES

Name	Value	Unit
Volume flow	0	m <sup>3</sup> /h
Pressure	0	Pa



to the product detail page

## GENERAL DATA

Name	Value	Unit	Formula symbol
Labeling	CE, UKCA		
Duct size	-		$W \times H_{\text{duct}}$
Pipe connection size (DN)	DN315		DN
Rated voltage (entire device)	230	V	$U_{\text{rated}}$
Phases (entire device)	1~		phase
Electrical protection (entire device)	6 A		fuse
Housing material	Galvanized steel		mat <sub>casing</sub>
Impeller material	Plastic		mat <sub>impeller</sub>
IP-protection class (entire device)	IPX4		IP <sub>compl</sub>
IP-Protection class (terminal box)	IP44		IP <sub>ebox</sub>
Weight	8.4	kg	m
Fan type	Diagonal		Fan <sub>type</sub>
Category / Installation situation	A		cat

## MAXIMAL DATA

Name	Value	Unit	Formula symbol
Max. power consumption (device)	270	W	$P_{\text{ed, max}}$
Max. operating current (device)	1.64	A	$I_{\text{ed, max}}$
Max. speed	2905	1/min	$n_{\text{max}}$
Max. stat. efficiency	50.8	%	$\eta_{\text{es}}$
Max. fan efficiency	55	%	$\eta_{\text{e}}$
Max. flowrate	2360	m <sup>3</sup> /h	$q_{\text{v, max}}$
Max. stat pressure	580	Pa	$p_{\text{sf, max}}$
Max. medium temperature	55	°C	$T_{\text{m, max}}$
Max. environment temperature	55	°C	$T_{\text{amb, max}}$
Min. environment temperature	-25	°C	$T_{\text{amb, min}}$
Min. voltage	80	V	$U_{\text{min}}$
Stall current	4.5	A	$I_{\text{LRA}}$



to the product detail page

## MOTOR DATA

Name	Value		Unit	Formula symbol
	50 Hz	60 Hz		
Rated frequency (device)		50		f
Motor type		AC 1~		phase
Control type		stepless-controlled		ctrltype
Installation type		IRM (In)		install
Rotation direction		right		rotation
Isolation class		ISO F		ISOclass
Motor-protection		TMI		protectmotor
Protection class		IP00		IPmotor
Is pole-changeable		No		polexch
Type of power supply		AC 1~		pwrsupmotor
Capacity capacitor		8	μF	Ccond
Voltage capacitor		450	V	VUcond
Number of poles (1)		2.000000		num polesw1
Rated voltage	230		V	Urated, f1
Shaft power	220		W	Pout, f1
Efficiency	71.7		%	ηm, f1
Efficiency class	IE3			IEmotor
Min. temperature	-25		°C	Tmotor, min
UL-Certification motor		None		ULcert

## ERP DATA (LOT11)

Name	Value	Unit	Formula symbol
Speed at the energy efficiency optimum	2819	1/min	n <sub>opt</sub>
Efficiency level	50.8	%	N
Efficiency category	statisch		catefficiency
Input power of the motor at the energy efficiency optimum	0.26	kW	P <sub>e, opt</sub>
Overall efficiency	67.4	%	η <sub>ges</sub>
Measurement category	A		meas cat
Fan pressure at energy efficiency optimum	341	Pa	p <sub>f, opt</sub>
Flowrate at energy efficiency optimum	1457	m <sup>3</sup> /h	q <sub>v, opt</sub>

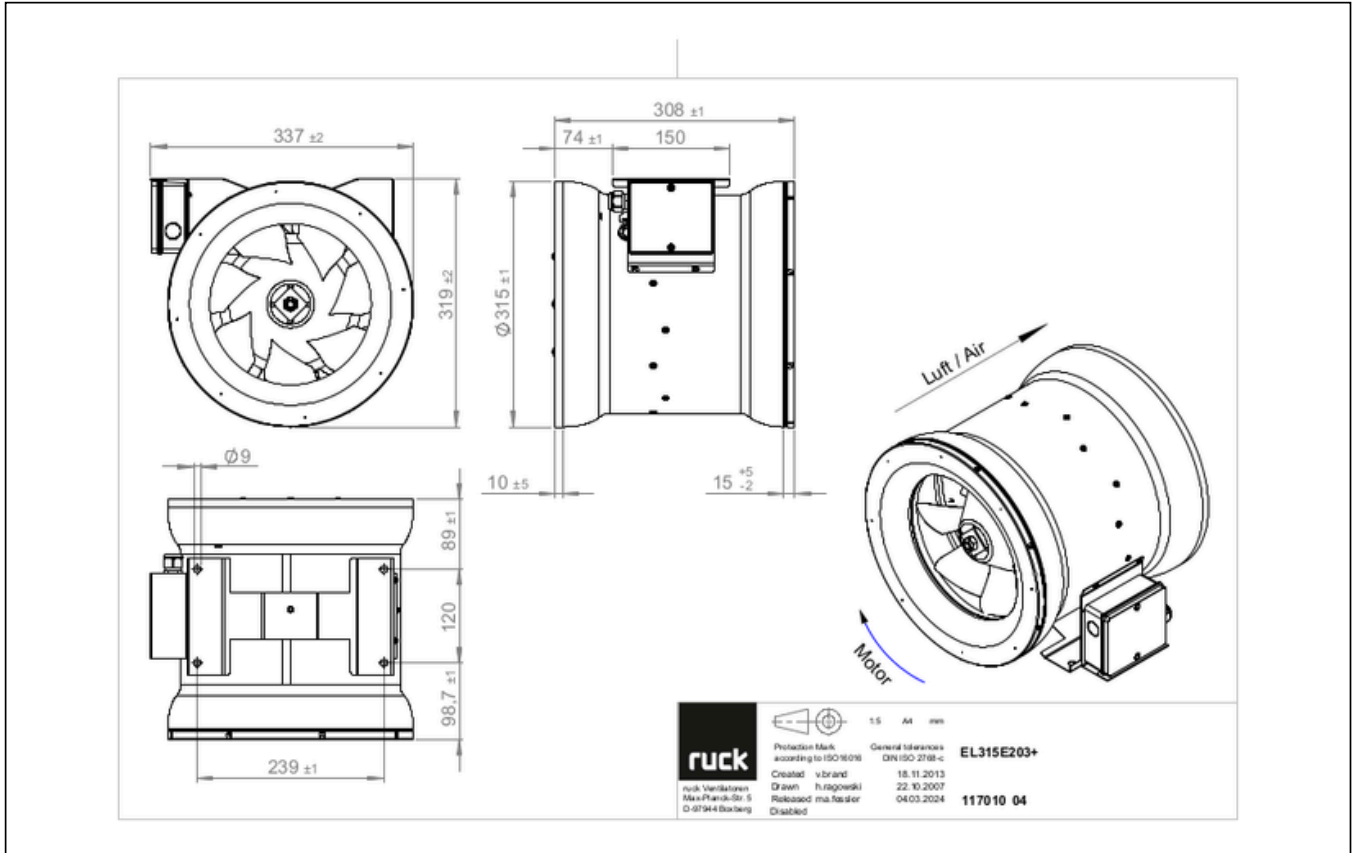


to the product detail page

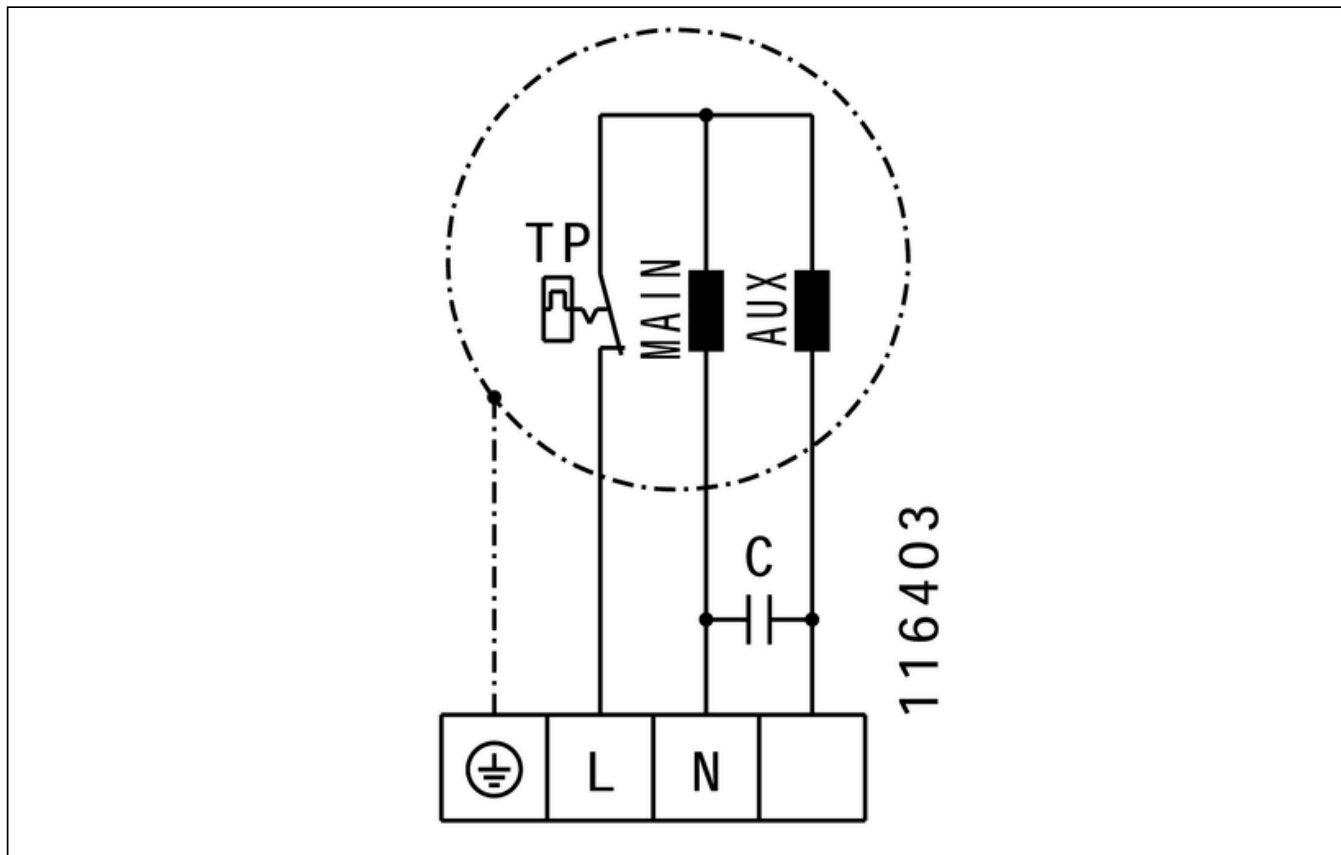
# EL 315 E2 03

117010

## CIRCUIT DIAGRAMS / DIMENSIONAL DRAWINGS

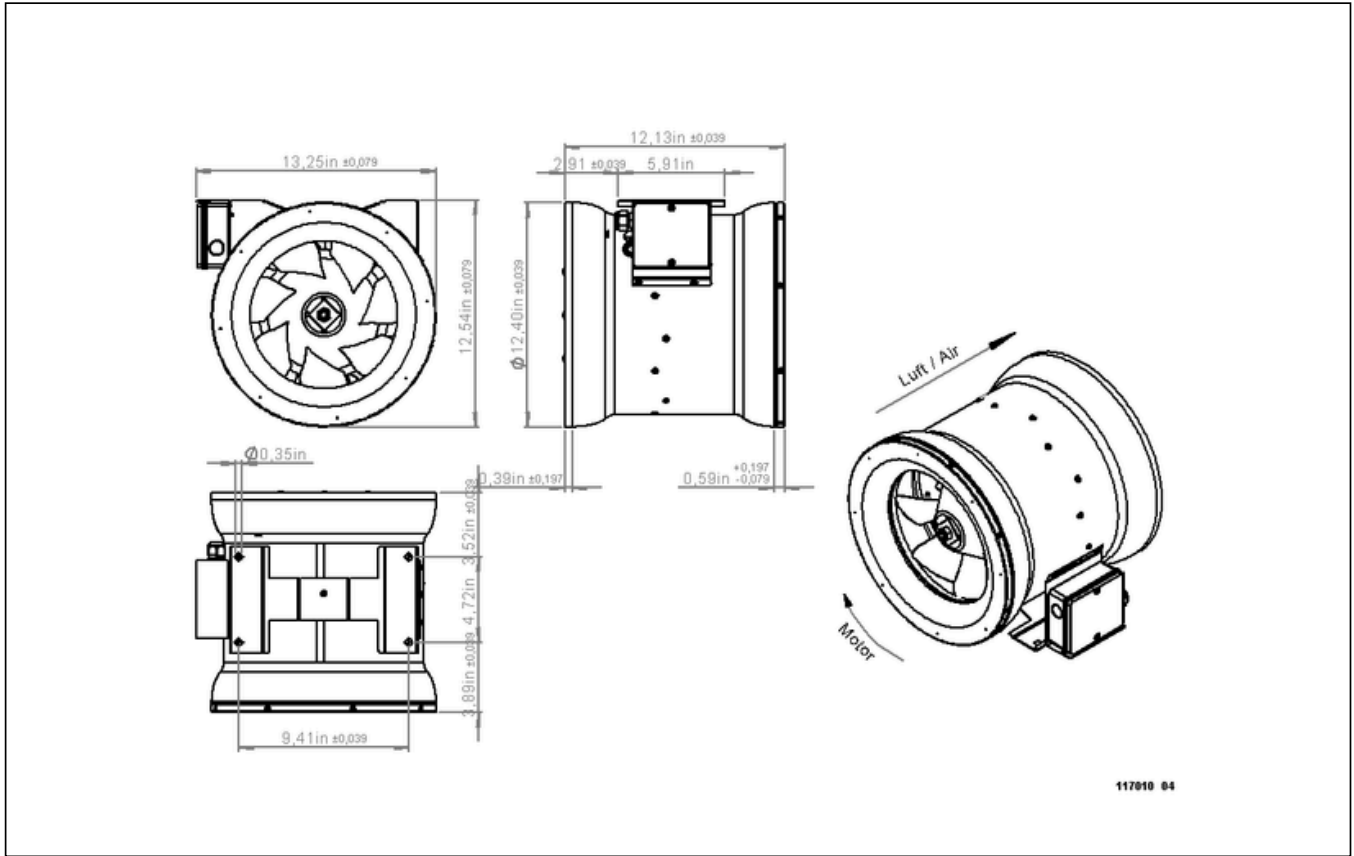


to the product detail page



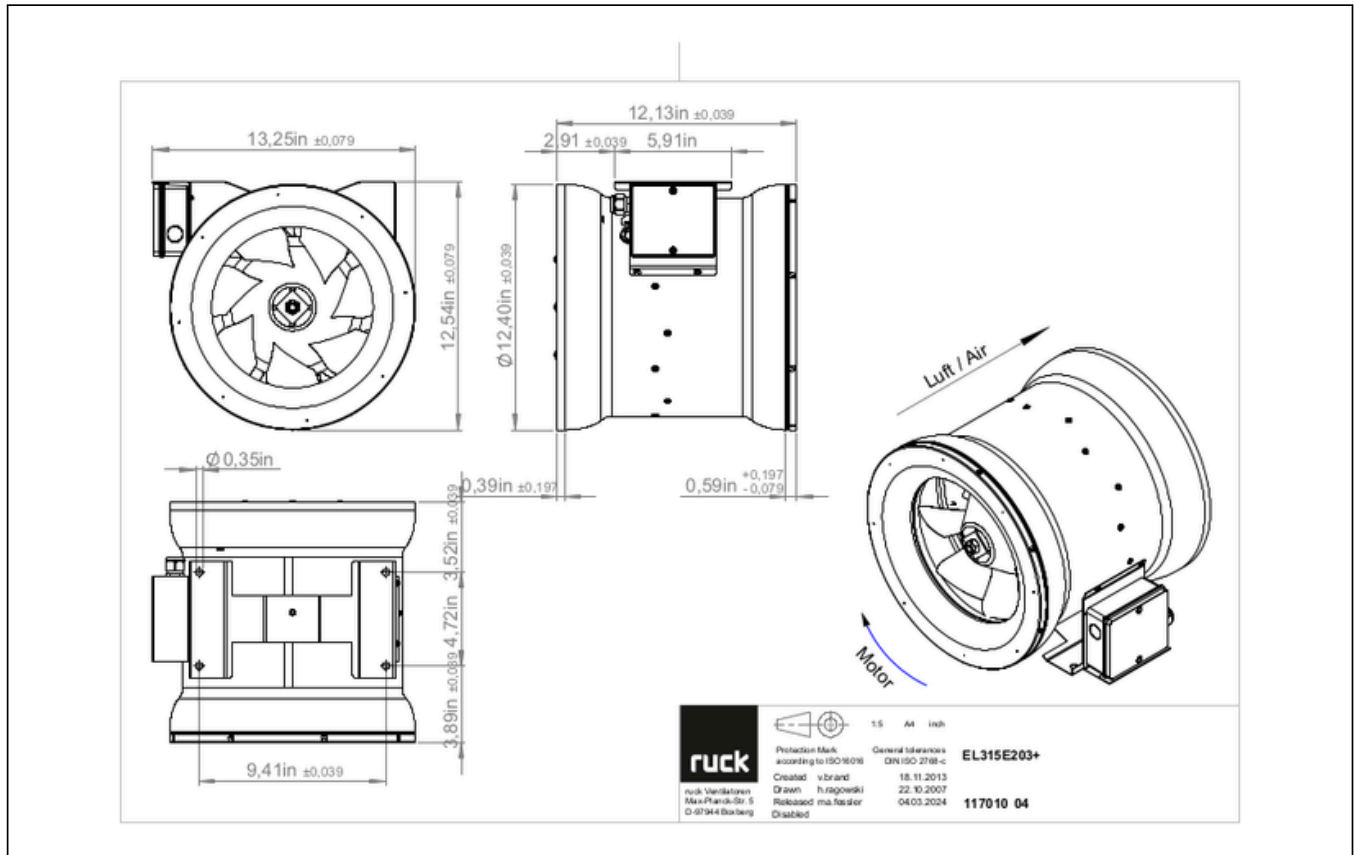
# EL 315 E2 03

117010



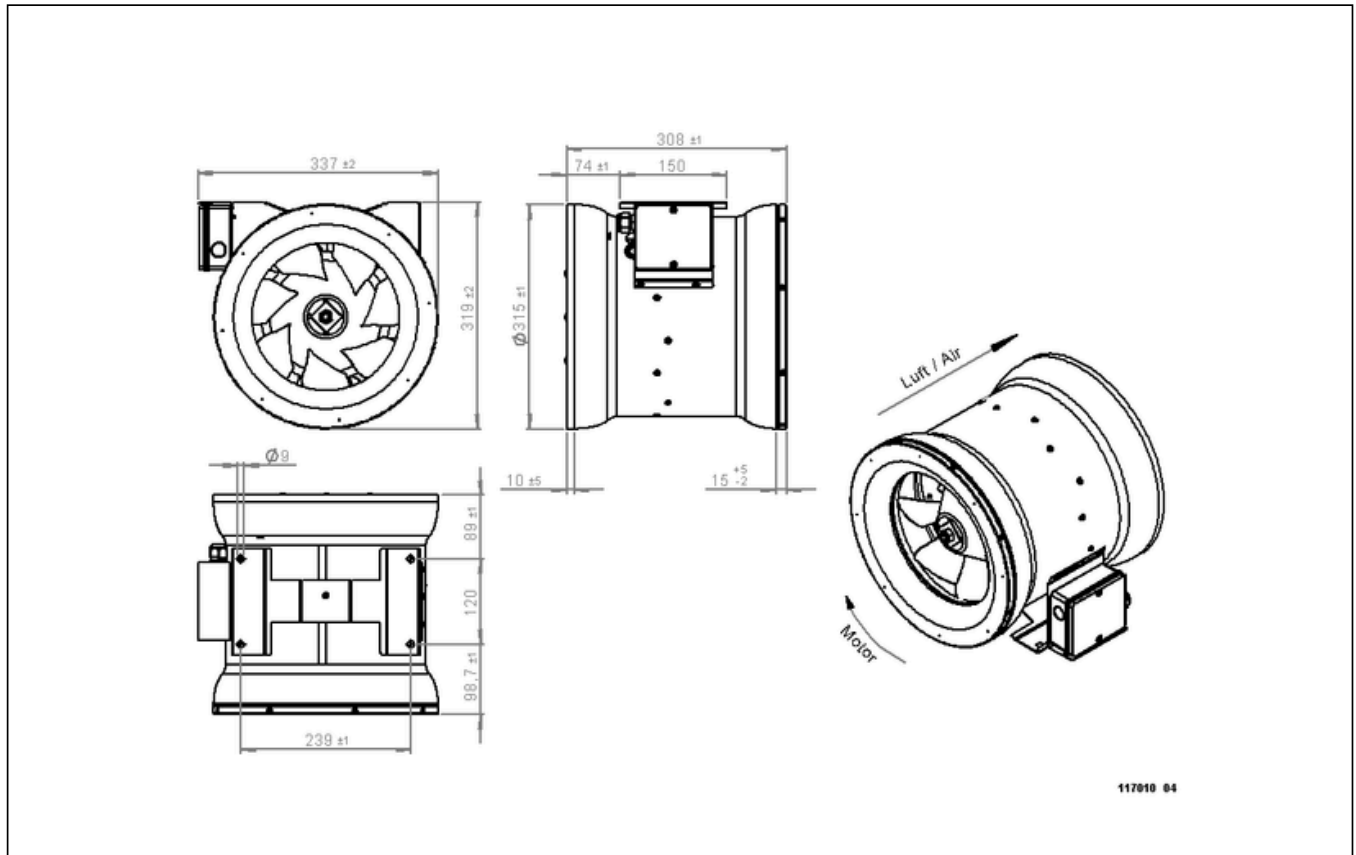
# EL 315 E2 03

117010



# EL 315 E2 03

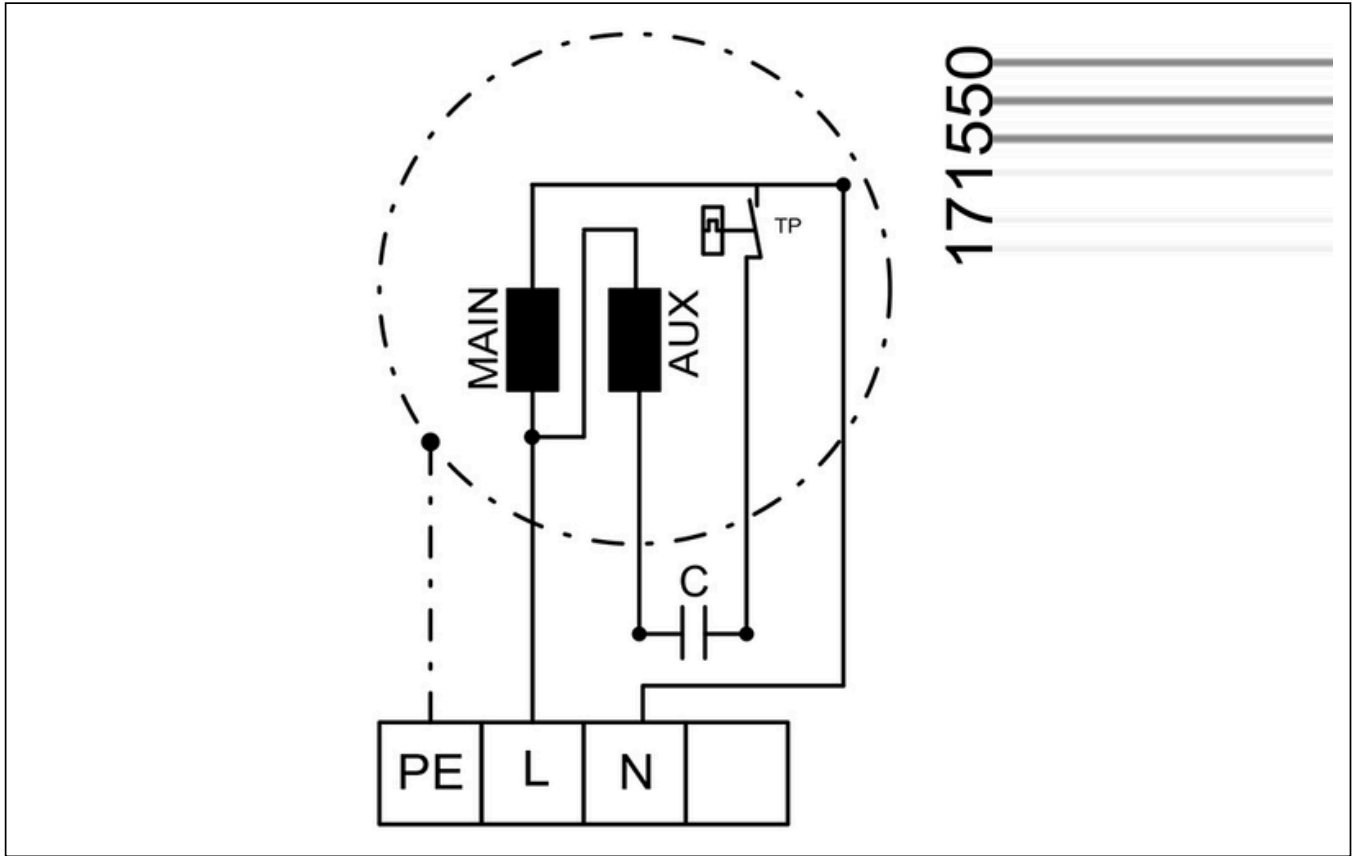
117010





# EL 315 E2 03

117010



171550

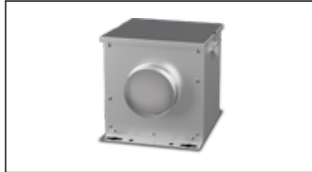


# EL 315 E2 03

117010

## MECHANICAL ACCESSORIES

**FV 315 | 112834**



- Air filter box with mat filter ISO Coarse 45 % (G3)
- Toggle-type fastener

**FT 315 | 112846**



- Air filter box for pocket filter
- Toggle-type fastener
- Galvanized steel sheet housing
- Without filter

**FTW 315 | 112855**



- Air filter box with pocket filter M5
- Integrated warm water heating coil
- Galvanized steel sheet housing
- Toggle-type fastener

**RSK 315 | 102664**



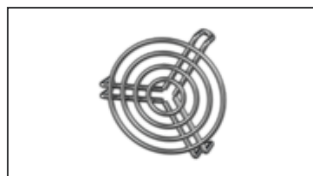
- Back draught shutter for tube fitting
- Galvanized steel sheet housing
- Aluminum flaps

**UKR 6030 03 | 114640**



- Transition duct / tube
- Steel sheet, galvanized
- 600 x 300 mm / NW 315

**SG 315 01 | 102900**



- Protection grille for tube connection
- Galvanized wire

**SDF 315 | 102706**



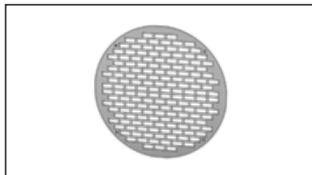
- Flexible tube silencer
- Galvanized steel sheet
- Sound insulation packing 50 mm

**SDS 315 | 102723**



- Rigid tube silencer
- Galvanized steel sheet
- Sound insulation packing 50 mm (mineral wool)

**SG 315 02 | 112675**



- Inlet protection grille for Etaline
- Galvanized steel sheet

**RSK 315D | 113489**



- Back draught shutter for tube fitting
- Galvanized steel sheet housing
- Aluminum flaps
- Integrated gasket

**VM 315 | 102652**



- Fast clamps for sound decoupling and sealing
- Galvanized steel sheet, 5 mm
- Neopren gasket
- 1 Pack = 2 pieces

## ELECTRICAL ACCESSORIES

**GS 01 | 102787**



- Isolator switch
- Umax = 400 V, 50/60 Hz
- Switching capacity 400 V 3~ = 7,5 kW
- I<sub>max</sub> = 25 A

**TEM 035 | 103502**



- 5-step transformer
- 230 V, 50/60 Hz, 3,5 A
- Output voltage: 230-190-170-140-110-80-0 V
- Protection class IP 54

**TES 035 02 | 146195**



- 5-step transformer
- 230 V, 50/60 Hz, 3,5 A
- Without housing, control cabinet installation
- Protection class IP 20



to the product detail page