



AKU 125 EKO

Art.no: [FAN000018](#) | Product category: Circular duct fans

Technical data

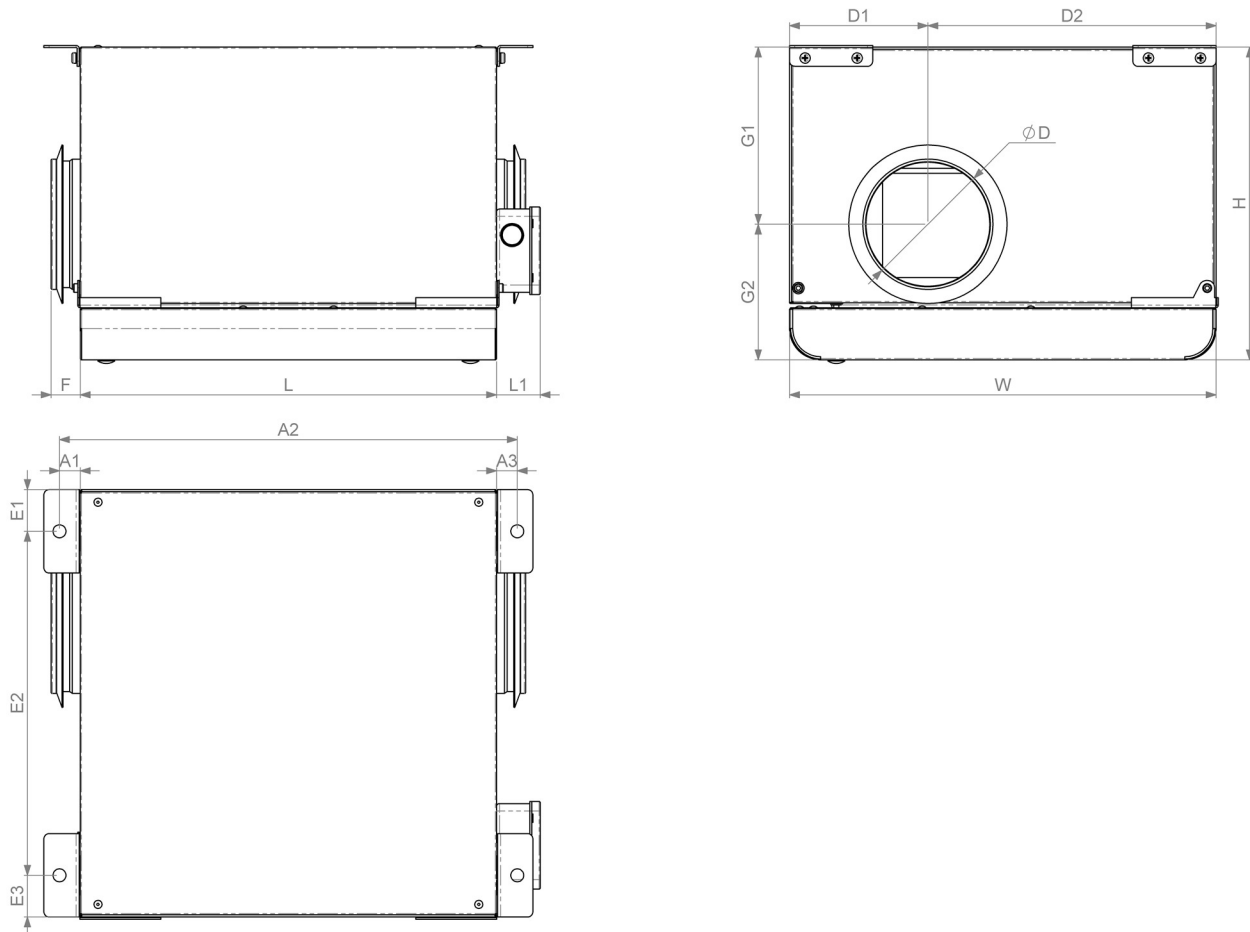
PACKING	
Weight	11.9 kg
ELECTRICAL DATA	
Rated power	51 W
Rated current	0.4 A
Phases	1N~ ~
Voltage	230 V
Frequency	50, 60 Hz

FAN	
Motor type	EC
IP Class	IP44
Impeller type	Backwards curved
CASING	
Material	Galvanized steel
Insulation thickness	50 mm
IP Class	IP54
Operation environment	Outdoors under roof
Operating air temperature	-40 .. 60 °C

Ecodesign calculations

WORKING POINT	Reference point	
Effective electric power input	0.0551	kW
Nominal NRVU flow rate	0.068	m ³ /s
Nominal external pressure	236	Pa
Face velocity	0.971	m/s
Static efficiency of fans used in accordance with Regulation (EU) No 327/2011	29	%
Casing sound power level	56	dB(A)
ErP Compliance	2018	
Declared maximum external leakage rates (CAL(R) @ +400 Pa)	1	%
Declared maximum external leakage rates (CAL(R) @ -400 Pa)	1	%
Topology	NRVU / UVU	
Type of drive	Variable speed	
Internet address for disassembly instructions	www.salda.lt	

Dimensions



L [mm]	W [mm]	H [mm]	ØD [mm]	L1 [mm]	F [mm]	A1 [mm]	A2 [mm]	A3 [mm]	D1 [mm]	D2 [mm]	E1 [mm]
400	410	325	125	49	28	20	441	20	205	205	40
E2 [mm]	E3 [mm]	G1 [mm]	G2 [mm]								
330	40	164	161								