



Revolving ceiling fan, very silent and easy to install.

Characteristics

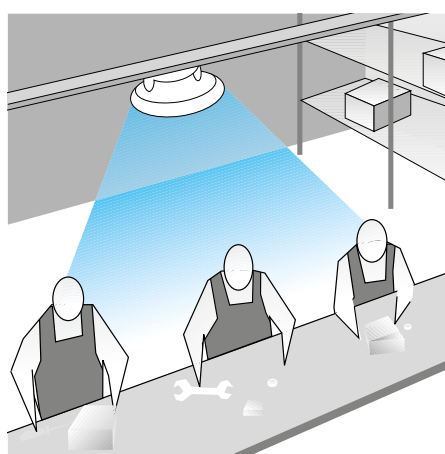
- Head that can swivel 360°, optimising air distribution
- High protection grille for installation at heights under 2.30 m.
- 3 speed selector included.



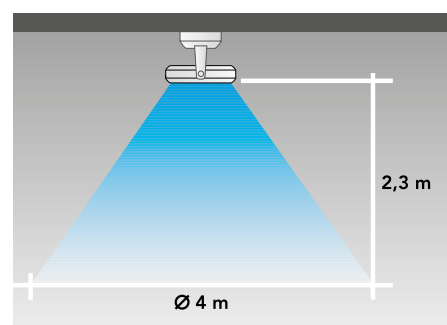
3 speed selector included
Dimensions LxWxH (mm):
80x80x70.



Shop / Supermarket



Assembly line



Airflow range

TECHNICAL CHARACTERISTICS

Model	Voltage 50Hz (V)	Nominal power (W)	Intensity (A)	Maximum airflow* (m ³ /h)	Maximum air output speed (m/s)	Maximum sound power level (dB(A))	N° speeds	Swiveling head	Motor with thermal protection	Colour	Weight (kg)	Dimensions (mm)		Wiring diagram** (n°)
												Ø Propeller	Height	
Artic-400 R	230	60	0,26	3.300	2,6	59	3	360°	•	Grey	6	400	350	37

* The indicated airflow include induced airflow.

** See section of Wiring Diagrams.

***According to IEC 60879 regulation.