



# KF-T120-250-4L3

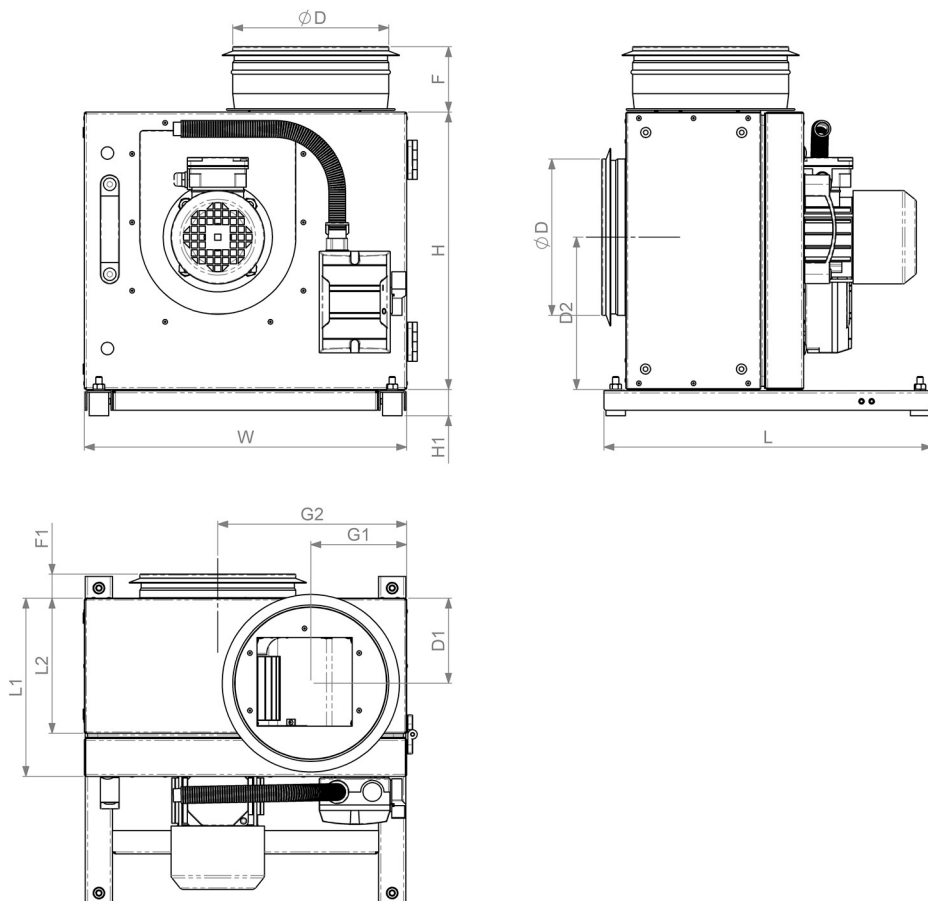
Art.no: [FAN000030](#) | Product category: Kitchen Fans

## Technical data

PACKING	
Weight	49 kg
ELECTRICAL DATA	
Rated power	1.6 kW
Rated current	3.37 A
Phases	3~ ~
Voltage	400 V
Frequency	50 Hz

FAN	
Motor type	AC
IP Class	IP55
Impeller type	Forwards curved
CASING	
Material	Galvanized steel
IP Class	IP54
Operation environment	Outdoors
Operating air temperature	-40 .. 120 °C

Dimensions



L [mm]	W [mm]	H [mm]	ØD [mm]	L1 [mm]	L2 [mm]	F [mm]	F1 [mm]	H1 [mm]	D1 [mm]	D2 [mm]	G1 [mm]
620	577	500	315	291	236	93	41	34	146	278	170
G2 [mm]											
341											