



KF-T120-400-4 L3

Art.no: [FAN000569](#)

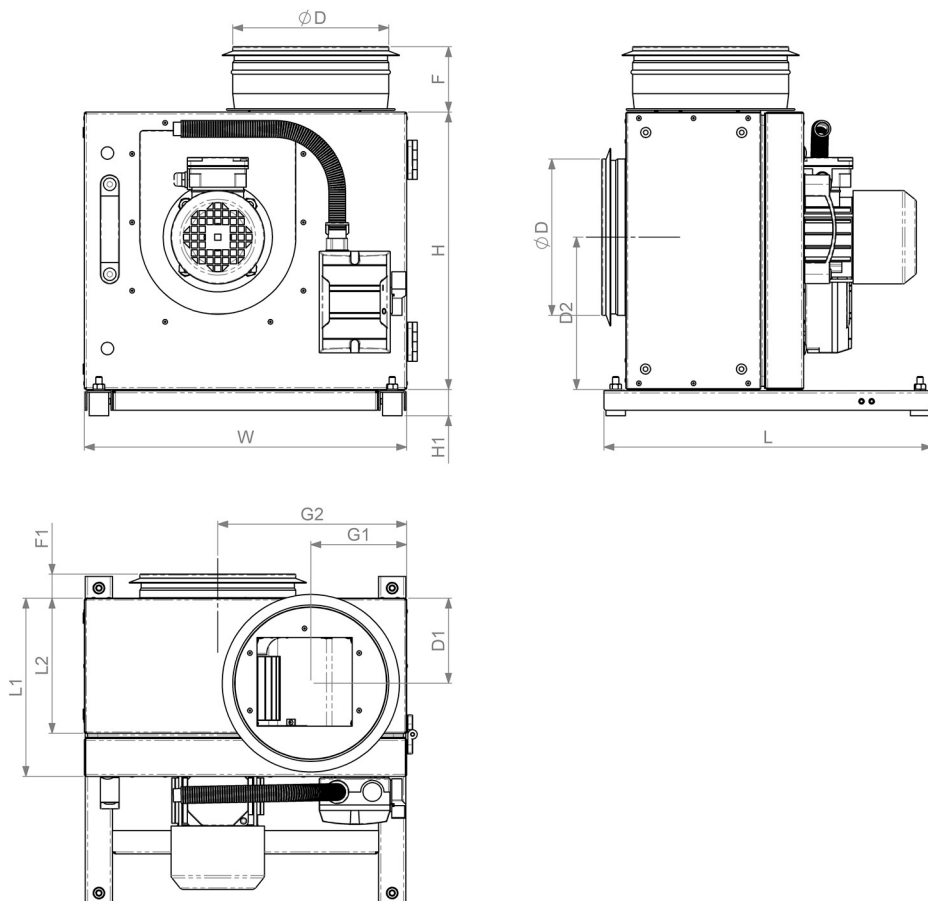
Product category: Kitchen Fans

Technical data

PACKING	
Weight	60 kg
ELECTRICAL DATA	
Rated power	550 W
Rated current	1.49 A
Phases	3~ ~
Voltage	400 V
Frequency	50 Hz

FAN	
Motor type	AC
IP Class	IP55
Impeller type	Backwards curved
CASING	
Material	Galvanized steel
IP Class	IP54
Operation environment	Outdoors
Operating air temperature	-40 .. 120 °C

Dimensions



L [mm]	W [mm]	H [mm]	ØD [mm]	L1 [mm]	L2 [mm]	F [mm]	F1 [mm]	H1 [mm]	D1 [mm]	D2 [mm]	G1 [mm]
620	750	640	400	353	298	191	71	34	169	355	202
G2 [mm]											
451											