



KUB 100-630 EKO

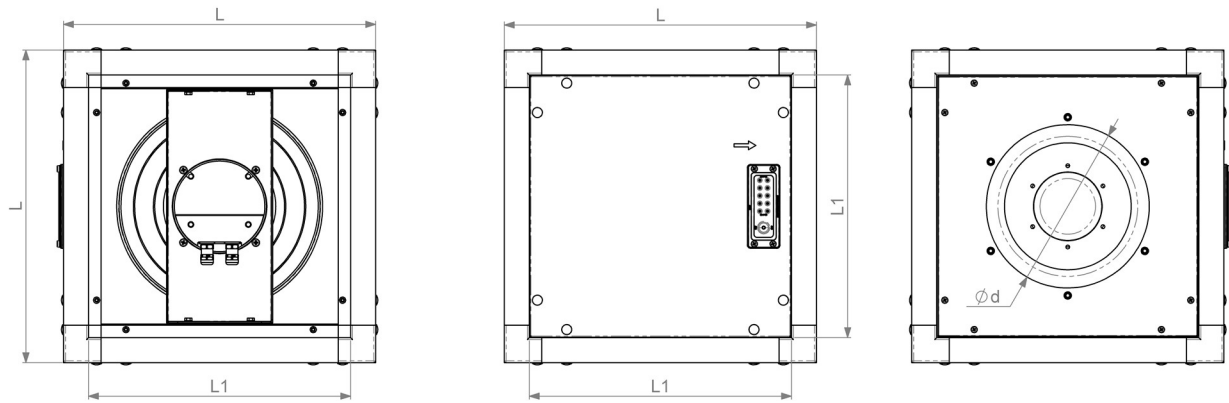
Art.no: [FAN000073](#) | Product category: Rectangular duct fans

Technical data

PACKING	
Weight	115 kg
ELECTRICAL DATA	
Rated power	2.8 kW
Rated current	4.4 A
Phases	3~ ~
Voltage	400 V
Frequency	50, 60 Hz

FAN	
Motor type	EC
IP Class	IP55
Impeller type	Backwards curved
CASING	
Material	Galvanized steel
IP Class	IP54

Dimensions



L [mm]	L1 [mm]	Ød [mm]
1,000	920	510