



AIR PURIFIER

- USER'S MANUAL



MODEL:
QLT-300



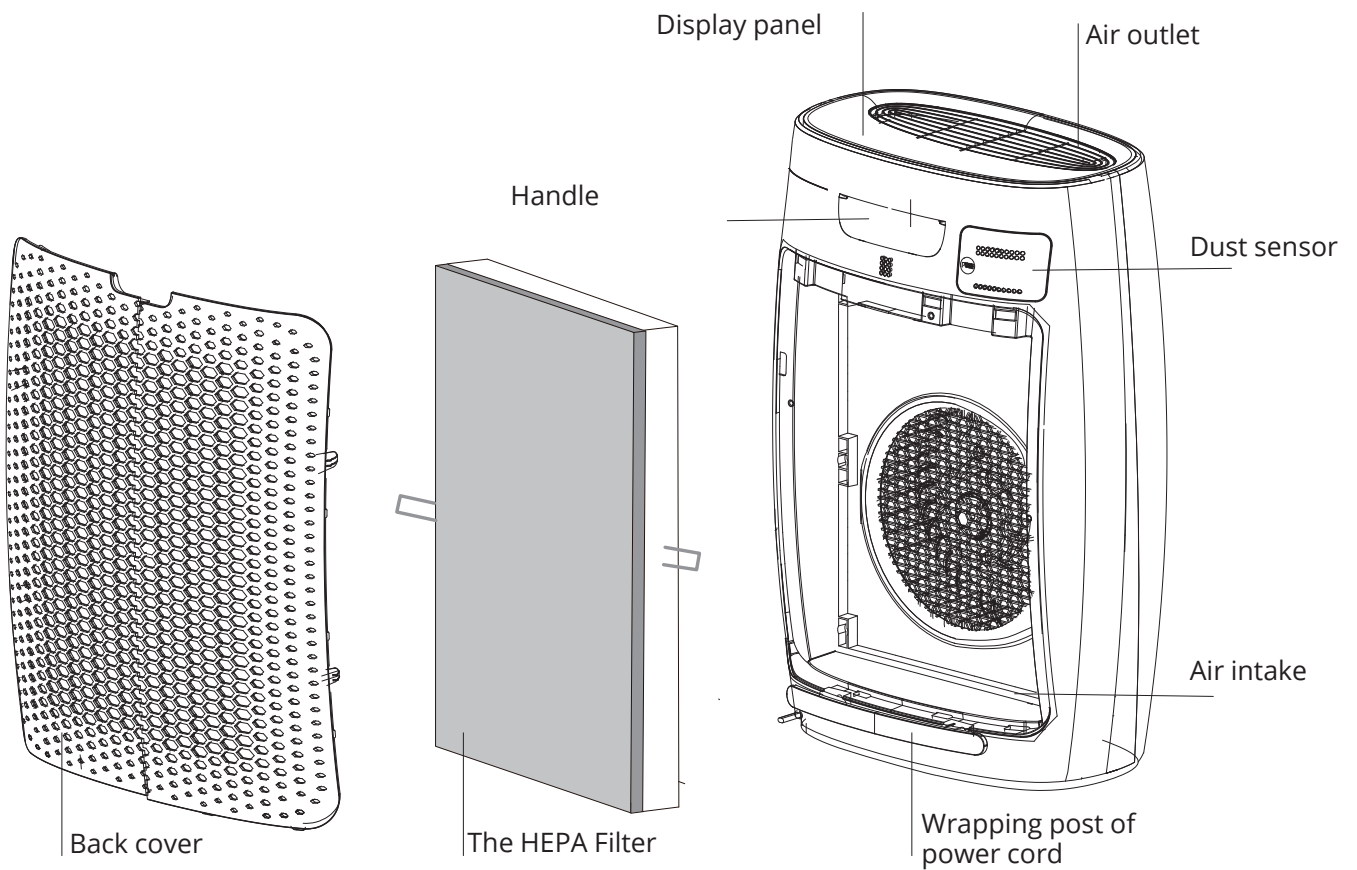
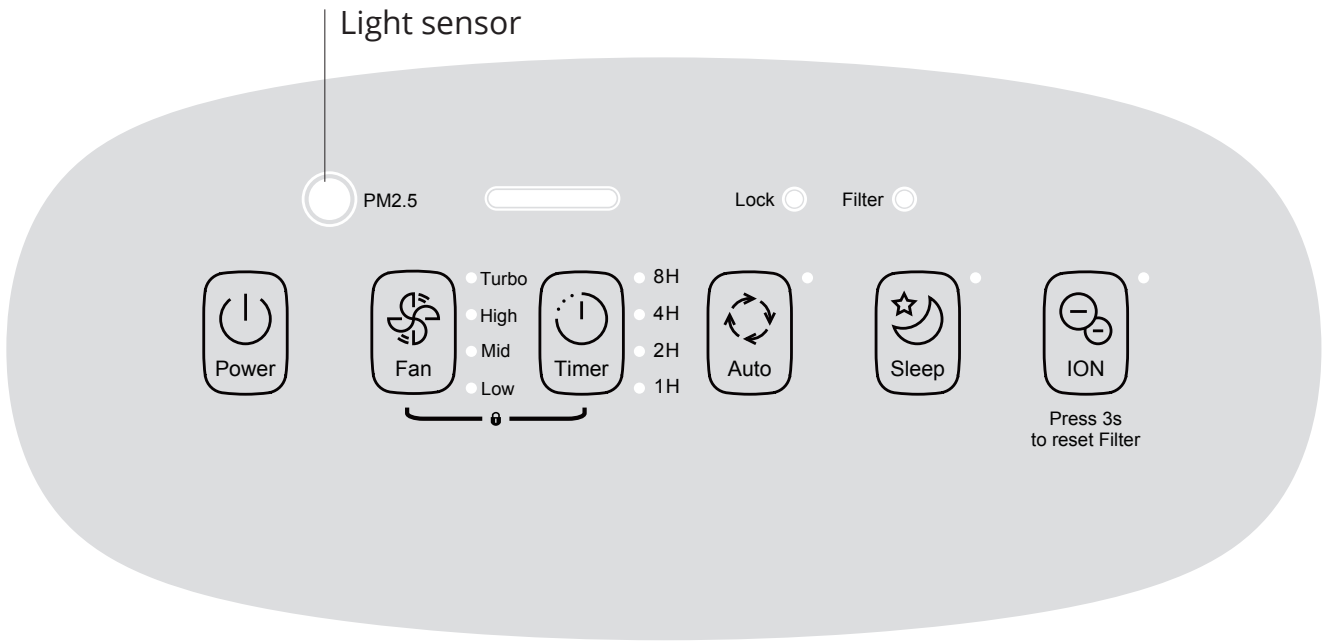
| LANGUAGES

ENGLISH	3
---------------	---

| Contents

Preparation.....	4
Safety Precautions.....	5
Cautions	6
Installation	7
Operation.....	8
Maintenance.....	10
Faults Diagnosis	11
Sociable Remark	12

Preparation



For easy storage, in the case of long-term nonuse, you can wrap the power cord here

| Safety Precautions

- Maintenance
- Must be repaired by professionals.
 - Be sure to turn off unit and unplug power before servicing, moving, cleaning unit and removing filter.
 - Do not exchange power lines without authorization.
 - Be sure to unplug power when not using unit for a long time.
-

- Operation
- Do not operate with wet hands.
 - Do not press hard control panel of the top.
 - Do not load things on top of the unit.
 - Do not insert things to the air inlet and outlet.
-

- Never do this
- Never put air purifiers to the place where there is flammable and combustible gas.
 - Avoid long-term direct sunshine.
 - Do not use at the place where is humid and easy to contact water, such as bathrooms.
 - Never place this machine on inclined or uneven surfaces.
 - Do not use this machine at environment with oil and smoke, such as kitchens.
 - Do not use this machine at outdoors.
 - Do not modify the length of the power cord or use an extension cord to power the unit. Do not share a single outlet with other electrical appliances. Improper power supply can cause fire or electrical shock.
-

- WARNING
- NOT SUITABLE FOR USE WITH SOLID-STATE SPEED CONTROLS.
 - To Reduce The Risk Of Fire Or Electric Shock, Do Not Use This Fan With Any Solid-State Speed Control Device.
-

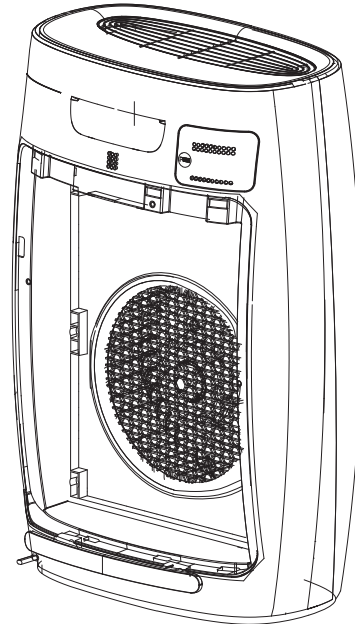
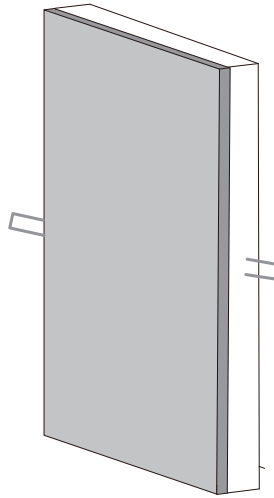
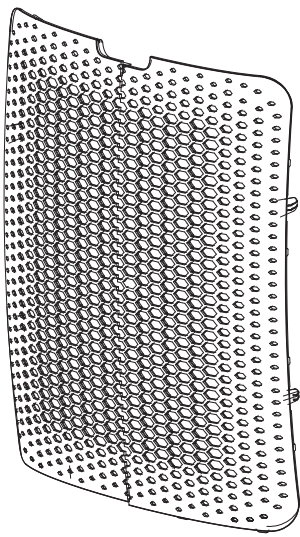
NOTE:

All the illustrations in the manual are for explanation purpose only. Your machine may be slightly different. The actual shape shall prevail. The design and specifications are subject to change without prior notice for product improvement. Consult with the sales agency or manufacturer for details.

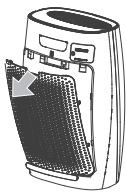
| Cautions

- This appliance can be used by children aged from 8 years and above and person with reduced physical, sensory or mental capabilities or lack of experience and knowledge if they have been given supervision or instruction concerning use of the appliance in a safe way and understand the hazards involved. Children shall not play the appliance. Cleaning and user maintenance shall not be made by children without supervision. (be applicable for the European Countries)
- This appliance is not intended for use by persons (including children) with reduced physical, sensory or mental capabilities or lack of experience and knowledge, unless they have been given supervision or instruction concerning use of the appliance by a person responsible for their safety. (be applicable for other countries except the European Countries)
- Children should be supervised to ensure that they do not play with the appliance.
- If the supply cord is damaged, it must be replaced by the manufacturer, its service agent or similarly qualified persons in order to avoid a hazard.
- Prior to cleaning or other maintenance, the appliance must be disconnected from the supply mains.
- Do not install the appliance in a location that may be exposed to combustible gas.
- If combustible gas accumulates around the unit, it may cause fire.
- If the appliance is knocked over during use, turn off the unit and unplug it from the main power supply immediately. Visually inspect the unit to ensure there is no damage. If you suspect the unit has been damaged, contact a technician or customer service for assistance.
- In a thunderstorm, the power must be cut off to avoid damage to the machine due to lightning.
- This product complies with the maximum allowable concentration of ozone of 0.050 parts per million by volume (ppmv) in a 24-hour period. The Health Canada Guideline 2010 recommends that the maximum exposure limit, based on an averaging time of 8 hours, is 0.020 ppmv or less when tested in a sealed, controlled room approximately 30 m³.
- Do not run cord under carpeting. Do not cover cord with throw rugs, runners, or similar coverings. Do not route cord under furniture or appliances. Arrange cord away from traffic area and where it will not be tripped over.
- Do not operate any fan with a damaged cord or plug. Discard fan or return to an authorized service facility for examination and/or repair.
- This appliance is intended to be used in household.

| Installation

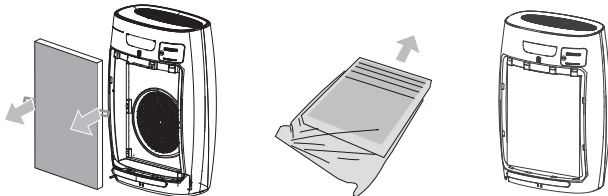


1 Remove rear housing



Grasp the position of the button to pull out and lift it up, and then remove the rear housing

2 Install the filter



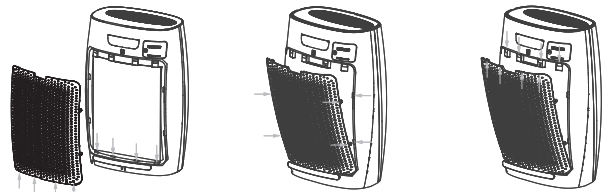
Hold the filter elements on both sides of the belt, remove the filter elements

Open the packing bag of the filter

Install the filter elements in the direction of the arrow shown at the top of the filter

Please make sure that the filter elements are properly installed on the front and rear sides.

3 Install the rear housing

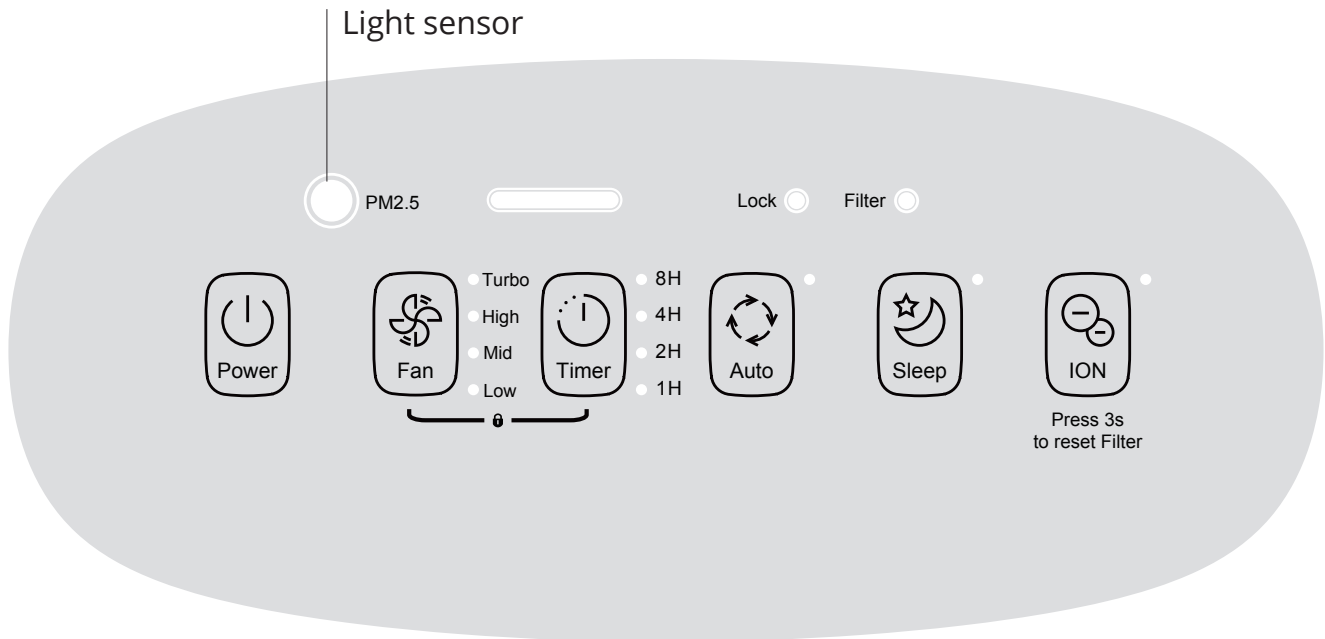


Insert the bottom buckle of the rear housing into the slot at the bottom of the body

Press sides simultaneously by hands and 4 buckles on the left and right are inserted in the body

Press the top simultaneously by hands

| Operation



Power button

By pressing the “POWER” button the air purifier turns on or off.

Light perception function

In the automatic mode, when the product is placed in a weak light environment, the light sensor senses that the surroundings to darken and automatically enter the sleep mode



Fan button

Press this button to adjust the purification quantity, with optional turbo, high, medium and low gears



Timer button

Press this button to set the time, namely 1H→2H→4H→8H→to turn off the timer



+



Child-lock button

Press [“Fan” and “Timer”] button for 1 second to turn on the child-lock function; in the case of press other buttons at this moment, the purifier keeps the current mode to continue running, and press again to cancel the child-lock function



Auto button

Press this button to enter the automatic mode, and then press again to exit

Note: In the automatic mode, the purifier automatically adjusts its purification quantity based on the sensor’s detection data (dust, odor concentration); According to the light sensor to perceive the ambient brightness data and automatically adjust the purification quantity and light intensity



Sleep button

Press this button to turn on sleep mode and press again for closing

In the sleep mode, the lights under such mode darken, other lights are turned off and the purification quantity is adjusted to be low gear. In the sleep mode, touch any button, the fan can restore to normal operating state; if you want to use other functions, operate it based on the corresponding buttons; if there is no operation within 3 seconds, the fan continues to enter the sleep mode.



Ion button

Press this button to initiate the negative ion function and press it again for shutdown

(Press 3s, to reset Filter)

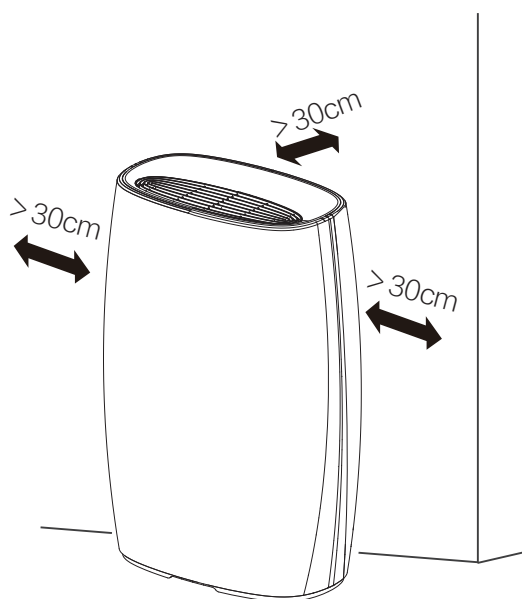


Filter

If the "Filter" indicator light lights up, which prompts to clean the filter; after cleaning the filter, press the ION button for 3 seconds, and start timing.

Place correctly

In order to achieve better purification effect and avoid affecting communication by shielding effect of metal, make sure that keep the machine 30 centimeters away from walls, furnitures and so on and at least 50 centimeters away from metals/ electrical appliances.



| Maintenance

Cleaning/Replacement of HEPA Filter

Filter

- Clean HEPA Filter when cleaning filter light flashes.
- Clean filter with cleaners or brushes.
- Recommend to replace HEPA Filter when HEPA Filter is broken or filtering effect is poor.
- Install the HEPA Filter. Read the "installation" section for details.



ION

Press "ION" button for 3 seconds, the timer resets from the beginning.

Tips:

Do not clean filter with water.

Recommend to clean filter with small soft brushes or household cleaners.

In the use of a strong smell of cigarettes, barbecue, etc., within a few weeks or months, the filter may produce a smell. Please clean the filter and air filter for 2-5 days. If you still can not get rid of the smell, please replace the filter.

| Faults Diagnosis

Please check the machine according to the following form before asking for maintenance:

Faults Diagnosis	Possible Reasons	Possible Solutions
Air purifier does not run.	<ul style="list-style-type: none">- Maybe forget to connect the power wires or the connection were not in good condition.- Maybe forget to press down the power switch.	<ul style="list-style-type: none">-Please plug in the power well.- please press down the power switch.
Poor effects of oil and smell removal.	<ul style="list-style-type: none">- Maybe filter component is in opposite position.- Maybe the lifetime of HEPA Filter is over.- Maybe the air inlet is stuck by something.	<ul style="list-style-type: none">-Please install HEPA Filter correctly.-Please replace new HEPA Filter.-Please remove the things in air inlet.
Cleaning light of filter components does not turn off.	<ul style="list-style-type: none">- Maybe does not press "ION" button for 3 seconds after cleaning HEPA Filter.	<ul style="list-style-type: none">-Press "ION" button for 3 seconds after cleaning HEPA Filter.
Smell and smoke is hard to remove.	<ul style="list-style-type: none">-Maybe HEPA Filter is still in packaging bags.	<ul style="list-style-type: none">-Please remove packaging bags of HEPA Filter.

Please request for repair if occur the following situations:

1. Operate abnormally or does not operate, and the solutions above is useless.
2. Operate abnormally because of things or water entering inside.

| Sociable Remark

When using this dehumidifier in the European countries, the following information must be followed:

DISPOSAL: Do not dispose this product as unsorted municipal waste. Collection of such waste separately for special treatment is necessary.

It is prohibited to dispose of this appliance in domestic household waste.

For disposal, there are several possibilities:

A) The municipality has established collection systems, where electronic waste can be disposed of at least free of charge to the user.

B) When buying a new product, the retailer will take back the old product at least free of charge.

C) The manufacture will take back the old appliance for disposal at least free of charge to the user.

D) As old products contain valuable resources, they can be sold to scrap metal dealers.

Wild disposal of waste in forests and landscapes endangers your health when hazardous substances leak into the ground-water and find their way into the food chain.



All the pictures in the manual are for explanatory purposes only. The actual shape of the unit you purchased may be slightly different, but the operations and functions are the same. The company may not be held responsible for any misprinted information. The design and the specifications of the product for reasons, such as product improvement, are subject to change without any prior notice.

Please consult with the manufacturer at +30 211 300 3300 or with the Sales agency for further details. Any future updates to the manual will be uploaded to the service website, and it is advised to always check for the latest version.



Scan here to download the latest version of this manual.
www.inventorappliances.com/manuals

Activate your Warranty

Follow the next quick steps to activate your warranty:

STEP 1

Visit our website via the link:

<https://www.inventorappliances.com/warranty-card>

or by scanning the QR code, as follows:



STEP 2

Fill in the obligatory fields as requested in the "Owner's details" and "Unit's details":

To activate the warranty card, please fill in the following fields

Owner's details	Unit details
Full Name	Unit
Address*	Serial Number of the unit*

STEP 3

Click SEND button at the end of the submission form:

E-mail*

Subscribe to the current Inventor's Newsletter

SEND I have read and you accept the terms and conditions.

once the warranty submission has been completed a confirmation message will be sent to your email

STEP 4

Wait for the confirmation email you will receive at the email address you have filled in - please also check your spam folder.

STEP 5

Inventor warranty is now valid!



AIR PURIFIER



V 1.1

