

IR 1550 SC

EN

OPERATING MANUAL
RADIANT HEATER



 TROTEC

Table of contents

Notes regarding the operating manual..... 2

Safety 2

Information about the device..... 5

Transport and storage..... 6

Assembly and installation..... 6

Operation 7

Errors and faults..... 8

Maintenance 9

Technical annex..... 10

Disposal 10

Notes regarding the operating manual

Symbols



Warning of electrical voltage

This symbol indicates dangers to the life and health of persons due to electrical voltage.



Warning of hot surface

This symbol indicates dangers to the life and health of persons due to hot surface.



Warning

This signal word indicates a hazard with an average risk level which, if not avoided, can result in serious injury or death.



Caution

This signal word indicates a hazard with a low risk level which, if not avoided, can result in minor or moderate injury.

Note

This signal word indicates important information (e.g. material damage), but does not indicate hazards.



Info

Information marked with this symbol helps you to carry out your tasks quickly and safely.



Follow the manual

Information marked with this symbol indicates that the operating manual must be observed.

You can download the current version of the operating manual and the EU declaration of conformity via the following link:



IR 1550 SC



<https://hub.trotec.com/?id=44913>

Safety

Read this manual carefully before starting or using the device. Always store the manual in the immediate vicinity of the device or its site of use.



Warning

Read all safety warnings and all instructions.

Failure to follow the warnings and instructions may result in electric shock, fire and/or serious injury.

Save all warnings and instructions for future reference.

This appliance can be used by children aged from 8 years and above and persons with reduced physical, sensory or mental capabilities or lack of experience and knowledge if they have been given supervision or instruction concerning use of the appliance in a safe way and understand the hazards involved. Children shall not play with the appliance. Cleaning and user maintenance shall not be made by children without supervision.



Warning

Children of less than 3 years should be kept away from the device unless continuously supervised.

Children aged from 3 years and less than 8 years shall only switch on/off the appliance provided that it has been placed or installed in its intended normal operating position and they have been given supervision or instruction concerning use of the appliance in a safe way and understand the hazards involved.

Children aged from 3 years and less than 8 years shall not plug in, regulate and clean the appliance or perform user maintenance.



Warning

Do not use the device in small rooms if persons are present who cannot leave the room independently and who are not under constant supervision.

- Do not use the device in potentially explosive rooms or areas and do not install it there.
- Do not use the device in aggressive atmosphere.

- Parts of the device may become hot and may produce arcs or sparks. Do not use this device in the vicinity of fuel, solvents, varnishes or other easily inflammable and/or explosive vapours or in rooms where these substances are stored. Keep device away from open fire and hot surfaces and do not store or operate it in their vicinity.
- Let the device dry out after a wet clean. Do not operate it when wet.
- Do not use the device with wet or damp hands.
- Do not expose the device to directly squirting water.
- Never insert any objects or limbs into the device.
- Do not insert objects into the ventilation inlets. Failure to comply may result in electric shock, fire or damage to the device if this is not observed.
- Do not use the device as source of ignition.
- Do not cover the device during operation.
- This appliance is not a toy. Keep away from children and animals. Do not leave the device unattended during operation.
- Check accessories and connection parts for possible damage prior to every use of the device. Do not use any defective devices or device parts.
- Ensure that all electric cables outside of the device are protected from damage (e.g. caused by animals). Never use the device if electric cables or the power connection are damaged!
- The mains connection must correspond to the specifications in the Technical annex.
- Insert the mains plug into a properly fused mains socket.
- If possible, do not use extensions to the power cable as they can overheat and cause a fire. If you need to use an extension to the power cable, make sure its length is at least 1.5 m.
- Observe the device's power input, cable length and intended use when selecting extensions to the power cable. Completely unroll extension cables. Avoid electrical overload.
- Do not guide the power cable underneath carpets. Do not cover the electric cable with carpets or similar fabrics. Lay the electric cable away from walkways to avoid trip hazards.
- Before carrying out maintenance, care or repair work on the device, remove the mains plug from the mains socket. Hold onto the mains plug while doing so.
- Switch the device off and disconnect the power cable from the mains socket when the device is not in use.
- Do not under any circumstances use the device if you detect damages on the mains plug or power cable. If the power cable is damaged, it must be replaced by the manufacturer, its service agent or similarly qualified persons in order to avoid a hazard. Defective power cables pose a serious health risk!
- During the installation of the device observe the minimum distances from walls and other objects as well as the storage and operating conditions specified in the Technical data chapter.
- Do not use the device in immediate proximity to curtains, beds or sofas.
- Do not transport the device during operation.
- Allow the device to cool down before transport and/or maintenance work.
- Do not use this device near bathtubs, shower trays, swimming pools or other water containers. Risk of electric shock!
- The device must not be installed directly beneath a socket.
- The device must be set up in a way that the switches and controllers cannot be touched by a person in a bathtub or shower.
- The device must not be used with a programming switch, timer, separate remote control system or similar equipment that switches the device on automatically, as this could cause a fire hazard if the heater is covered or positioned incorrectly.
- Make sure that the air inlet is not obstructed. Risk of fire! Do not use the device on soft surfaces (e.g. on a bed) as this may block the air inlet.
- Make sure that no inflammable material such as curtains, roller shutters, flags, plastic sheeting etc. covers the device due to wind or other weather conditions.
- Never use the device after it has been dropped. If the device has been dropped, it must be inspected and, if necessary, repaired by the manufacturer, its customer service or a similarly qualified person in order to avoid hazards.

Intended use

Use the device for heating surfaces in roofed outdoor areas and protected from weather exposure.

The device is only intended for ceiling installation.

Intended use comprises:

- heating surfaces
 - in storage facilities,
 - in construction areas,
 - in containers,
 - in the catering trade,
 - at trade fairs and events,
 - in roofed outdoor areas (e.g. covered terraces).

Foreseeable misuse

The device is not intended for industrial use.

- Do not place any objects, e.g. clothing, on the device.
- Do not use the device for heating in vehicles.
- Do not use this device in the vicinity of fuel, solvents, varnishes or other easily inflammable vapours or in rooms where these substances are stored.
- The device may not be used as a heating device for babies / children or animals.
- The device may not be installed inside a shower or directly above a bathtub.
- The device must not be used near swimming pools.
- Do not use this device in the immediate vicinity of sinks, bathtubs or other water containers.
Never immerse the device in water.
- The device may not be exposed to moisture or weather effects (rain, sunlight).
- Any use other than the intended use is regarded as a reasonably foreseeable misuse.

Any unauthorised changes, modifications or alterations to the device are forbidden.


Personnel qualifications

People who use this device must:

- be aware of the dangers that occur when working with electric devices in damp areas.
- have read and understood the operating manual, especially the Safety chapter.

Maintenance tasks which require the housing to be opened must only be carried out by specialist electrical companies or by Trotec.

Symbols on the device

Symbols	Meaning
	This symbol located on the device indicates that it is prohibited to place objects (such as towels, clothes etc.) above or directly in front of the device. In order to avoid overheating and fire hazards, the heater must not be covered.

Residual risks



Warning of electrical voltage

Work on the electrical components must only be carried out by an authorised specialist company!



Warning of electrical voltage

Before any work on the device, remove the mains plug from the mains socket!
Do not touch the mains plug with wet or damp hands. Hold onto the mains plug while pulling the power cable out of the mains socket.



Warning of hot surface

Some parts of this product can become very hot and cause burns. Particular attention has to be given where children and vulnerable people are present!



Warning

Dangers can occur at the device when it is used by untrained people in an unprofessional or improper way! Observe the personnel qualifications!



Warning

The device is not a toy and does not belong in the hands of children.



Warning

Risk of suffocation!
Do not leave the packaging lying around. Children may use it as a dangerous toy.



Warning

Improper installation or mounting entails a risk of fire.



Warning

Risk of injury due to infrared radiation!
Do not stay in the device's immediate vicinity for too long. Do not look directly into the device for too long. Observe the minimum distances.



Warning

In order to avoid overheating and fire hazards, the device must not be covered!



Warning

Coarse dirt particles on the heating rods can cause the device to overheat. Fire hazard!
Remove coarse dirt particles from the heating rods according to the Maintenance chapter before switching on the device.

Behaviour in the event of an emergency

1. Switch the device off.
2. In an emergency, disconnect the device from the mains feed-in: Hold onto the mains plug while pulling the power cable out of the mains socket.
3. Do not reconnect a defective device to the mains.

Information about the device

Device description

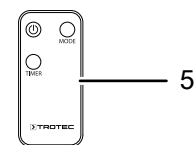
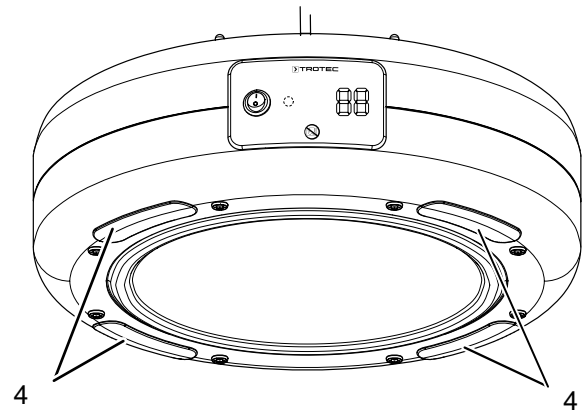
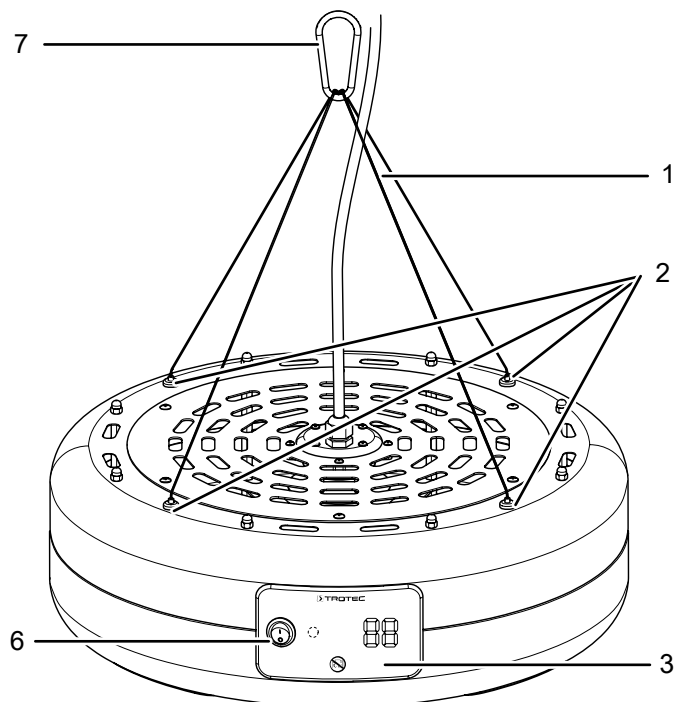
The device is used to quickly generate instant heat.

The device is based on the functional principle of heat generation by infrared radiation. The infrared radiation is generated by a halogen heating element and emitted to the surrounding surfaces as heat radiation. This serves to keep people or objects warm or to heat them up.

Setting one of the three heating levels and selecting the LED elements can be made via remote control or directly on the control panel.

- suitable for the application in roofed outdoor areas
- for ceiling installation
- silent operation
- no dust circulation (suitable for allergy sufferers)

Device depiction



No.	Designation
1	Fastening rope
2	Screw fittings for mounting the fastening ropes
3	Control panel
4	LED elements
5	Remote control
6	On/off switch
7	Carabiner hook

Transport and storage

Note

If you store or transport the device improperly, the device may be damaged.

Note the information regarding transport and storage of the device.

Transport

Before transporting the device, observe the following:

- Switch the device off.
- Hold onto the mains plug while pulling the power cable out of the mains socket.
- Do not use the power cable to drag the device.
- Allow the device to cool down sufficiently.

Storage

Before storing the device, observe the following:

- Hold onto the mains plug while pulling the power cable out of the mains socket.
- Allow the device to cool down sufficiently.

When the device is not being used, observe the following storage conditions:

- dry and protected from frost and heat
- in an upright position where it is protected from dust and direct sunlight
- with a cover to protect it from invasive dust, if necessary
- Place no further devices or objects on top of the device to prevent it from being damaged.
- Remove batteries from the remote control.

Assembly and installation

Scope of delivery

- 1 x Device
- 4 x 50 cm fastening ropes
- 1 x Carabiner hook
- 1 x Remote control
- 1 x Manual

Unpacking the device

1. Open the cardboard box and take the device out.
2. Completely remove the packaging.
3. Fully unwind the power cable. Make sure that the power cable is not damaged and that you do not damage it during unwinding.

Assembly

The device is intended for ceiling installation. Observe the following requirements for the installation:



Warning

Risk of fire due to improper installation!

There is a risk of fire if the required minimum distances are not observed.

Observe the Installation chapter and the technical data in the Technical annex.



Warning

There is a risk of the device falling down if the required minimum carrying capacity for the ceiling has not been observed.

Select or mount a ceiling holder suitable for the weight of the device (see technical data) and the structure of the ceiling. The ceiling and the holder must be able to hold a weight 3 to 4 times heavier than the device. The device must only be mounted to a solid ceiling surface.

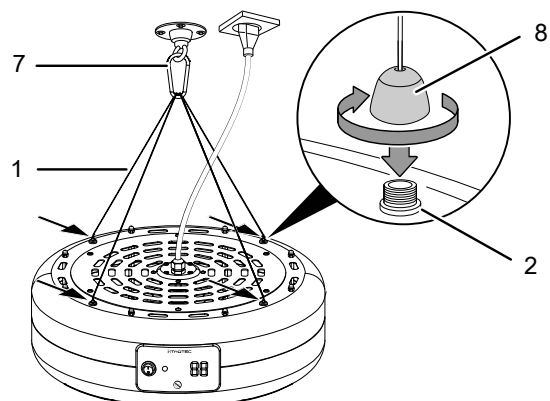


Warning

The device must not be placed directly below a socket, as the electrical cables may be hit when the device is being mounted. This may cause an electric shock.

Observe the minimum distances for mounting the device (see chapter Technical data).

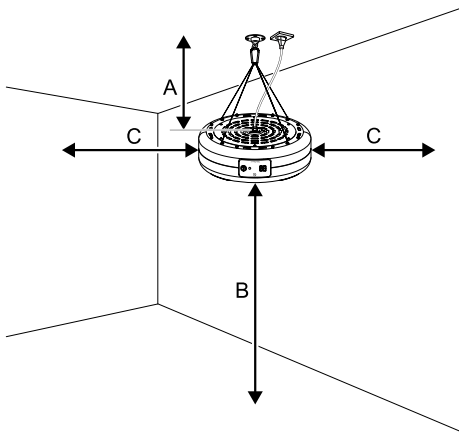
- ✓ A suitable ceiling holder is preassembled.
 - ✓ Make sure that the on/off switch (6) of the device is in position 0.
1. Insert the union nuts (8) of the fastening ropes (1) on the screw fittings (2).
 2. Attach the carabiner hook (7) with the four fastening ropes (1).
 3. Fasten the device on the ceiling by hooking the carabiner hook (7) into the ceiling holder. Observe the minimum distances to the ceiling and floor (see chapter Technical data).
- ⇒ Check the closure of the carabiner hook (7) and close it if necessary.



Installation

When installing the device, observe the minimum distances from walls and other objects as described in the Technical data chapter.

- Never install the device in a way that it radiates directly onto walls or other objects. Observe the minimum distances from walls or other objects according to the Technical data chapter.
- Only install the device in a horizontal position.



Start-up



Info

Odours might arise upon initial start-up or after a longer period of non-use.

- Before restarting the device, check the condition of the power cable. If there are doubts as to the sound condition, contact the customer service.
- Do not create tripping hazards when laying the power cable or other electric cables, especially when positioning the device in the middle of the room. Use cable bridges.
- Make sure that extension cables are completely unrolled.
- Make sure that there are no curtains or similar objects in the immediate vicinity.

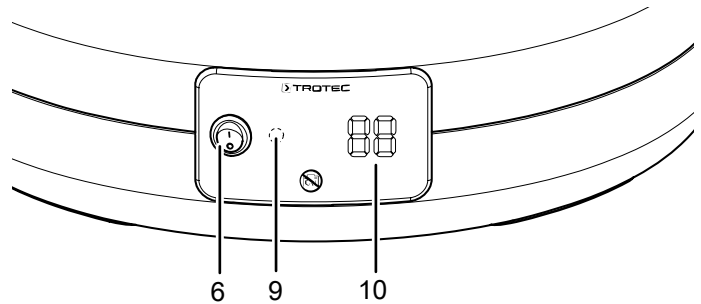
Prior to initial start-up, insert batteries in the remote control.

Connecting the power cable

- Insert the mains plug into a properly fused mains socket.
- Make sure that the power cable is guided along the back of the device. Never guide the power cable along the front of the device!

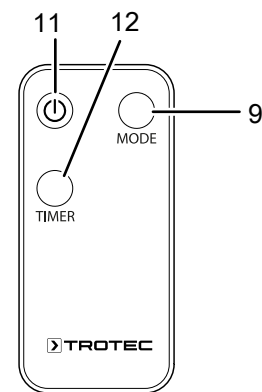
Operation

Operating elements



Remote control

All settings of the device can also be made using the remote control included in the scope of delivery.



No.	Designation	Meaning
9	Mode button (with operating control lamp)	Illuminated red if the timer is set Changing the heating level, activating the LED elements and setting the timer: P1 = heating capacity of 600 W P2 = heating capacity of 900 W P3 = heating capacity of 1500 W P4 = heating capacity of 1500 W and LED elements (4) P5 = LED elements (4) P6 = standby mode
10	Segment display	Indicates the heating level or the number of hours of the timer
11	Power button	For switching the device on or off
12	Timer button	Switching the timer on or off: Automatic switch-off in increments of 1 h up to 24 h

Switching the device on

Once you have completely installed the device as described in the Start-up chapter, you can switch it on.

1. Set the on/off switch (6) on the device to **I**.
 - ⇒ The segment display (10) is illuminated in red.
 - ⇒ The device is now in standby mode.
2. Press the *Mode* button (9) to select the desired heating level and switch on the LED elements.
 - ⇒ At level **P1** to **P3**, one of the three heating levels is switched on.
 - ⇒ At level **P4**, the highest heating level and the LED elements (4) are switched on.
 - ⇒ At level **P5**, only the LED elements (4) are switched on.
 - ⇒ At level **P6**, standby mode is activated.
 - ⇒ During operation of level **P1** to **P5**, the operating control lamp (9) is permanently illuminated in green
 - ⇒ The segment display (10) is illuminated in red at level **P6**.

Setting the timer

The timer has the following functionality:

- automatic switch-off upon expiry of a preset number of hours.

The number of hours to be set can be between 1 and 24 and is adjustable in increments of 1 hour.

Note

The device should not be left unattended in a freely accessible room with an activated timer.

Automatic switch-off

- ✓ The device is switched on.
1. Press the *Timer* button (12) several times or press and hold the *Mode* button (9) to set the desired number of hours until automatic switch-off.
 - ⇒ The segment display (10) indicates the number of hours until automatic switch-off.
 - ⇒ The timer has been programmed and the device will switch off after the predefined time.
 2. To delete the setting, press the *Timer* button (12) several times or keep the *Mode* button (9) pressed until the hour number **00** is displayed.
 - ⇒ Automatic switch-off is disabled.
 - ⇒ The *Mode* button (9) is illuminated in red.

Notes regarding automatic switch-off:

- Manually switching the device off disables the automatic switch-off function.
- If you select 0 hours, the timer will be switched off.

Shutdown



Warning of electrical voltage

Do not touch the mains plug with wet or damp hands.



Info

If you switch off the device via the remote control, the device will be set to standby mode. If standby operation is not required, you can switch the device off using the mains switch.

- Switch off the device by pressing the *on/off* button (11) on the remote control at first. Then set the on/off switch (6) on the device to "**0**".
- Allow the device to cool down completely.
- Hold onto the mains plug while pulling the power cable out of the mains socket.
- Clean the device according to the Maintenance chapter.
- Store the device according to the Transport and storage chapter.

Errors and faults



Warning of electrical voltage

Tasks which require the device to be opened must only be carried out by authorised specialist companies or by Trotec.

The device has been checked for proper functioning several times during production. If malfunctions occur nonetheless, check the device according to the following list.

The device does not start:

- Check the power connection.
- Check the power cable and mains plug for damages.
- Check the on-site fusing.
- Wait for 10 minutes before restarting the device. If the device is not starting, have the electricians checked by a specialist company or by Trotec.

The device does not emit heat:

- The heating element may be defective. If the heating element is defective, have it replaced by a specialist electrical company.
- Check the on/off switch (6). If the switch is set to the "**0**" position, the device is switched off. Switch the device on.

RCD or another fuse trips:

- Check the fuse. Switch off any other devices to reduce the load on the line.
- Contact a specialist electrical company.

The device slightly vibrates during switch-on and then stops vibrating:

- Slight vibrations during switch-on are a normal process. No measures are required.

The device does not respond to the infrared remote control:

- Check whether the distance between remote control and device is too large and reduce it if necessary.
- Make sure there are no obstacles, such as furniture or walls, between the device and the remote control. Ensure visual contact between device and remote control.
- Check the charging status of the batteries and change them if required.
- If the batteries have just been changed, check them for correct polarity.

The LED elements do not work:

- Check whether the power cable is plugged in correctly.
- Check whether the device is switched on.
- Check all LED elements for damages.
- The LED elements may be defective. Contact the Trotec customer service.

Note

Wait for at least 3 minutes after maintenance and repair work. Only then switch the device back on.

The device still does not operate correctly after these checks:

Please contact the customer service. If necessary, bring the device to an authorised specialist electrical company or to Trotec for repair.

Maintenance

Activities required before starting maintenance



Warning of electrical voltage

Do not touch the mains plug with wet or damp hands.

- Switch the device off.
- Hold onto the mains plug while pulling the power cable out of the mains socket.
- Allow the device to cool down completely.



Warning of electrical voltage

Tasks which require the device to be opened must only be carried out by authorised specialist companies or by Trotec.

Cleaning the device



Warning of electrical voltage

Never immerse the device in water!



Warning of hot surface

Do not touch the reflector or the heating rods with bare hands.

Clean the device with a soft, damp and lint-free cloth. Ensure that no moisture enters the housing. Protect electrical components from moisture. Do not use any aggressive cleaning agents such as cleaning sprays, solvents, alcohol-based or abrasive cleaners to dampen the cloth.

Wipe the housing dry after cleaning.

Dirt on the heating rods should be removed with a long brush with soft bristles.

Technical annex

Technical data

Parameter	Value
Model	IR 1550 SC
Heating capacity	600 / 900 / 1500 W
Power supply	220-240 V / 50-60 Hz
Plug type	CEE 7/7
Protection class	IP24
Dimensions (length x width x height)	450 x 450 x 140 mm
Electrical connection, plug type:	CEE 7/7
Cable length:	170 cm
Minimum distance to walls and other objects:	top (A): 50 cm bottom (B): 180 cm sides (C): 100 cm front: 100 cm
Weight	3.5 kg
Remote control battery	type CR 2025 / 3 V

Disposal



The icon with the crossed-out waste bin on waste electrical or electronic equipment stipulates that this equipment must not be disposed of with the household waste at the end of its life. You will find collection points for free return of waste electrical and electronic equipment in your vicinity. The addresses can be obtained from your municipality or local administration. You can also find out about other return options that apply for many EU countries on the website <https://hub.trotec.com/?id=45090>. Otherwise, please contact an official recycling centre for electronic and electrical equipment authorised for your country.

The separate collection of waste electrical and electronic equipment aims to enable the re-use, recycling and other forms of recovery of waste equipment as well as to prevent negative effects for the environment and human health caused by the disposal of hazardous substances potentially contained in the equipment.



In the European Union, batteries and accumulators must not be treated as domestic waste, but must be disposed of professionally in accordance with Directive 2006/66/EC of the European Parliament and of the Council of 6 September 2006 on batteries and accumulators. Please dispose of batteries and accumulators according to the relevant legal requirements.

Trotec GmbH

Grebener Str. 7
D-52525 Heinsberg

☎ +49 2452 962-400

☎ +49 2452 962-200

✉ info@trotec.com

www.trotec.com