

EN

OPERATING MANUAL
AIR COOLER



Table of contents

Notes regarding the operating manual..... 2

Safety 2

Information about the device..... 5

Transport and storage..... 7

Assembly and start-up..... 7

Operation 11

Available accessories..... 15

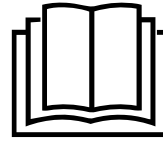
Errors and faults..... 16

Maintenance 17

Technical annex..... 23

Disposal 24

You can download the current version of the operating manual and the EU declaration of conformity via the following link:



PAE 45



<https://hub.trotec.com/?id=45002>

Notes regarding the operating manual

Symbols



Warning of electrical voltage

This symbol indicates dangers to the life and health of persons due to electrical voltage.



Warning

This signal word indicates a hazard with an average risk level which, if not avoided, can result in serious injury or death.



Caution

This signal word indicates a hazard with a low risk level which, if not avoided, can result in minor or moderate injury.

Note

This signal word indicates important information (e.g. material damage), but does not indicate hazards.



Info

Information marked with this symbol helps you to carry out your tasks quickly and safely.



Follow the manual

Information marked with this symbol indicates that the operating manual must be observed.

Safety

Read this manual carefully before starting or using the device. Always store the manual in the immediate vicinity of the device or its site of use.



Warning

Read all safety warnings and all instructions.

Failure to follow the warnings and instructions may result in electric shock, fire and/or serious injury.

Save all warnings and instructions for future reference.

This appliance can be used by children aged from 8 years and above and persons with reduced physical, sensory or mental capabilities or lack of experience and knowledge if they have been given supervision or instruction concerning use of the appliance in a safe way and understand the hazards involved.

Children shall not play with the appliance. Cleaning and user maintenance shall not be made by children without supervision.

- Do not use the device in potentially explosive rooms or areas and do not install it there.
- Do not use the device in aggressive atmosphere.
- Only put up the device in an upright, stable position on firm ground.
- Let the device dry out after a wet clean. Do not operate it when wet.
- Do not use the device with wet or damp hands.
- Do not expose the device to directly squirting water.
- Never insert any objects or limbs into the device.

- Do not cover or transport the device during operation.
- Do not sit on the device.
- This appliance is not a toy! Keep away from children and animals. Do not leave the device unattended during operation.
- Check accessories and connection parts for possible damage prior to every use of the device. Do not use any defective devices or device parts.
- Ensure that all electric cables outside of the device are protected from damage (e.g. caused by animals). Never use the device if electric cables or the power connection are damaged!
- The mains connection must correspond to the specifications in the Technical annex.
- Insert the mains plug into a properly secured mains socket.
- Observe the device's power input, cable length and intended use when selecting extensions to the power cable. Completely unroll extension cables. Avoid electrical overload.
- Before carrying out maintenance, care or repair work on the device, remove the mains plug from the mains socket. Hold onto the mains plug while doing so.
- Switch the device off and disconnect the power cable from the mains socket when the device is not in use.
- Do not under any circumstances use the device if you detect damages on the mains plug or power cable. If the power cable is damaged, it must be replaced by the manufacturer, its service agent or similarly qualified persons in order to avoid a hazard. Defective power cables pose a serious health risk!
- When positioning the device, observe the minimum distances from walls and other objects as well as the storage and operating conditions specified in the Technical annex.
- Make sure that the air inlet and outlet are not obstructed.
- Make sure that the suction side is kept free of dirt and loose objects.
- Do not remove any safety signs, stickers or labels from the device. Keep all safety signs, stickers and labels in legible condition.
- Only transport the device in an upright position with an emptied water tank.
- Empty the water tank before transport and storage. Do not drink the water. Health hazard!
- Note that high humidity levels may enhance the growth of biological organisms in the environment.
- Make sure that objects in the surroundings of the device do not become wet or damp. If moisture is present, the output must be reduced. If the output cannot be reduced, the device must only be operated in intervals. Absorbent materials such as carpeting, curtains, sheers or tablecloths must not become damp.
- Make sure that the water in the water tank is replaced every 3 days. Otherwise there is a risk of microorganisms growing in the water tank which presents a health hazard if they get into the air or water.
- Only fill the water tank with fresh drinking water, ice cubes made of fresh drinking water and / or suitable ice packs.
- Ice packs are not toys. Keep away from children and animals.
- Never open an ice pack. The liquid inside the ice packs can be harmful to health.
- Do not eat the ice that may form on the ice packs. Health hazard!
- Do not insert rechargeable batteries into the remote control.

Intended use

Only use the device for cooling the air in interior spaces while adhering to and following the technical data.

Intended use comprises cooling the air in:

- living spaces
- museums
- warehouses and archives
- libraries
- call centres and computer rooms

Foreseeable misuse

- Do not place the device on wet or flooded ground.
- Do not place any objects, e.g. clothing, on the device.
- Do not use the device outdoors.
- Do not make any unauthorised modifications, alterations or structural changes to the device.
- Any use other than the intended use is regarded as a reasonably foreseeable misuse.

Personnel qualifications

People who use this device must:

- be aware of the dangers that occur when working with electric devices in damp areas.
- have read and understood the operating manual, especially the Safety chapter.

Maintenance tasks which require the housing to be opened must only be carried out by specialist electrical companies or by Trotec.

Safety signs and labels on the device

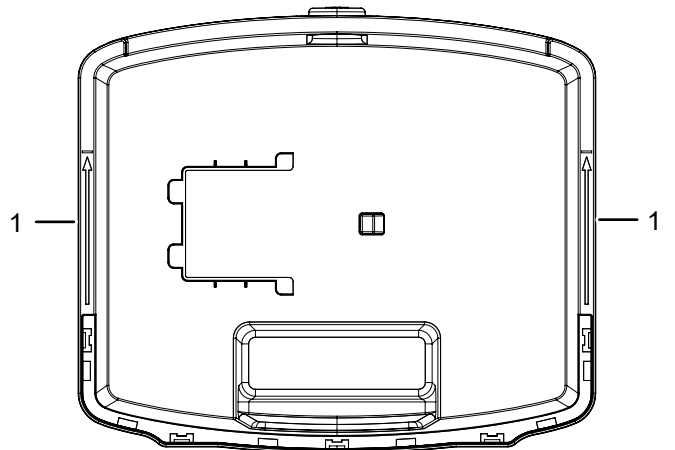
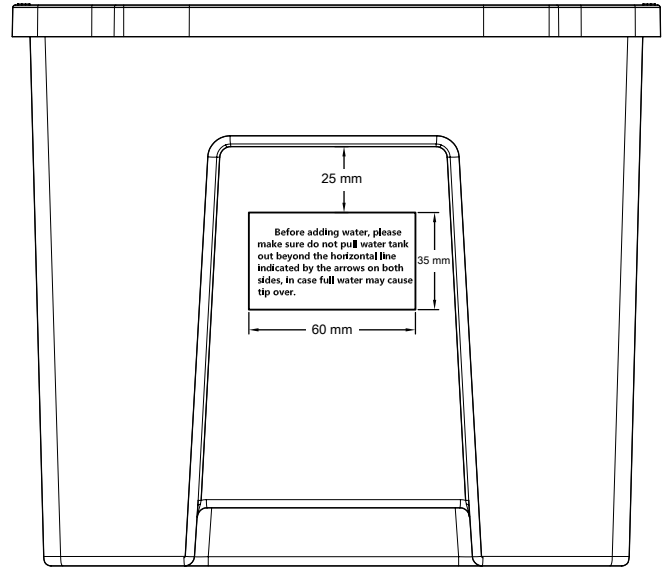
Note

Do not remove any safety signs, stickers or labels from the device. Keep all safety signs, stickers and labels in legible condition.

The following safety signs and labels are attached to the device:

The following label is attached to the device in English.

Before filling water into the water tank, make sure that you do not pull out the water tank beyond the horizontal line indicated by arrows (1) on both sides. Otherwise the device may tip over.



Residual risks



Warning of electrical voltage

Work on the electrical components must only be carried out by an authorised specialist company!



Warning of electrical voltage

Before any work on the device, remove the mains plug from the mains socket!
Do not touch the mains plug with wet or damp hands.
Hold onto the mains plug while pulling the power cable out of the mains socket.



Warning

The liquid inside the ice packs can be harmful to health!
If the liquid was swallowed, immediately seek medical attention.
If the liquid came into contact with your eyes, rinse with water and immediately consult an ophthalmologist.



Warning

Dangers can occur at the device when it is used by untrained people in an unprofessional or improper way!
Observe the personnel qualifications!



Warning

The device is not a toy and does not belong in the hands of children.



Warning

Risk of suffocation!
Do not leave the packaging lying around. Children may use it as a dangerous toy.

Note

Do not operate the device without an air filter inserted into the air inlet!
Without the air filter, the inside of the device will be heavily contaminated. This could reduce the performance and result in damage to the device.

Behaviour in the event of an emergency

1. Switch off the device.
2. In an emergency, disconnect the device from the mains feed-in: Hold onto the mains plug while pulling the power cable out of the mains socket.
3. Do not reconnect a defective device to the mains.

Information about the device

Description of the device

The air cooler lowers the room temperature to a comfortable degree by evaporation-based cooling.

The device is filled with cold water or optionally with ice cubes and / or ice packs in order to cool down the incoming warm air at the evaporation filter and to blow out the cold air thus generated via the fan.

Besides its cooling function, the device can also be used for air freshening: thanks to an integrated air filter and the evaporation filter's honeycomb structure, the sucked-in air is filtered and humidified.

The fan speed can be set to five stages.

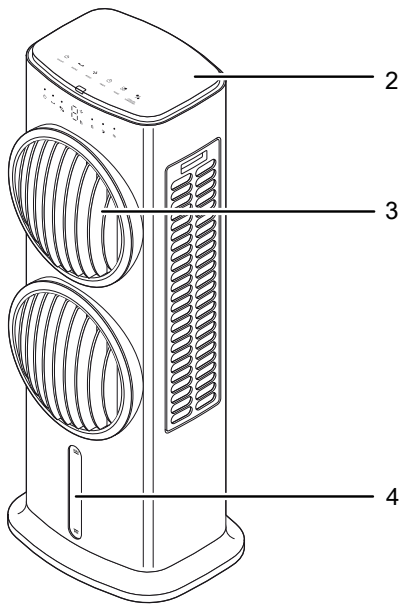
The device has two aerodynamically shaped air outlet fins that not only allow 360° air circulation but can also imitate a hurricane.

The discharge direction of the cooled air can be manually adjusted via the optionally selectable automatic swing mode.

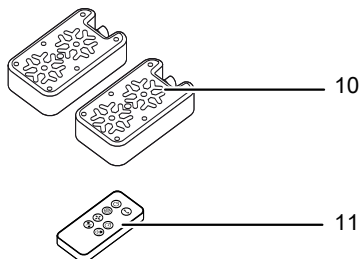
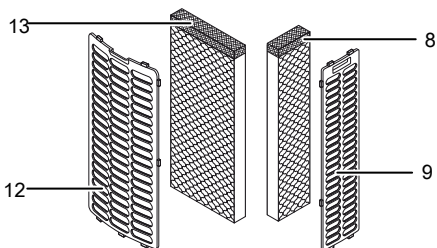
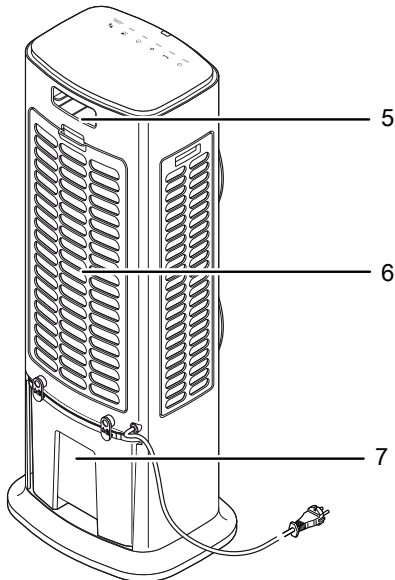
The device has a night mode enabling ultra-silent operation at bedtime.

The device can be operated via the control panel at the device or via the infrared remote control.

Device depiction



No.	Designation
2	Control panel
3	Air outlet with ventilation flaps with swing function
4	Filling level indicator of the water tank
5	Transport handle with compartment for the remote control
6	Air inlet with air filter and evaporation filter
7	Water tank with locking clips
8	Evaporation filter (both sides)
9	Air filter (both sides)
10	Ice packs
11	Remote control
12	Air filter (rear)
13	Evaporation filter (rear)



Transport and storage

Note

If you store or transport the device improperly, the device may be damaged.

Note the information regarding transport and storage of the device.

Transport

To make the device easier to transport, it is fitted with wheels.

To make the device easier to transport, it is fitted with a transport handle.

Before transporting the device, observe the following:

- Switch off the device.
- Hold onto the mains plug while pulling the power cable out of the mains socket.
- Empty the water tank.
- Do not use the power cable to drag the device.
- Only wheel the device on a level and smooth surface.

After transporting the device, proceed as follows:

- Set up the device in an upright position after transport.

Storage

Before storing the device, proceed as follows:

- Empty and clean the water tank prior to storage (see chapter Maintenance).
- Allow the evaporation filter to dry prior to storage. Otherwise the device may distribute a musty smell after restart.
- Hold onto the mains plug while pulling the power cable out of the mains socket.

When the device is not being used, observe the following storage conditions:

- dry and protected from frost and heat
- in an upright position where it is protected from dust and direct sunlight
- with a cover to protect it from invasive dust, if necessary
- Place no further devices or objects on top of the device to prevent it from being damaged.
- Remove batteries from the remote control.

Assembly and start-up

Scope of delivery

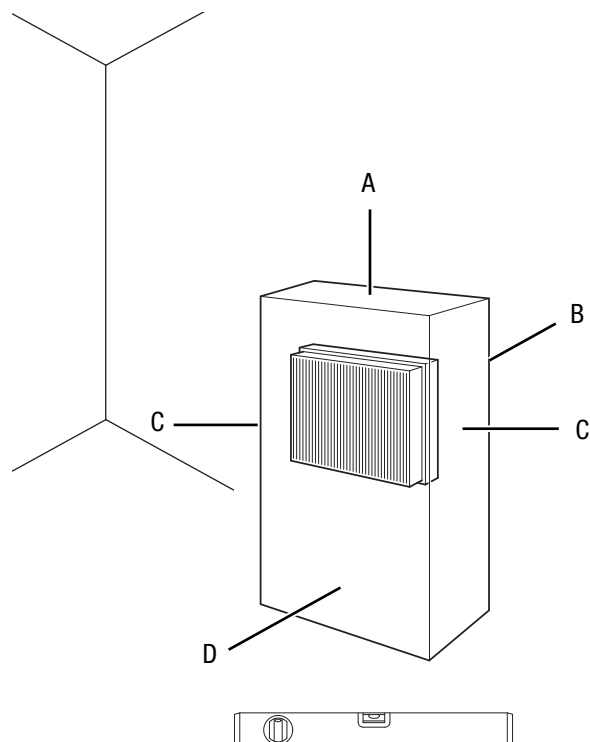
- 1 x Device
- 3 x Evaporation filter
- 3 x Air filter
- 2 x Ice pack
- 1 x Remote control
- 1 x Manual

Unpacking the device

1. Open the cardboard box and take the device out.
2. Completely remove the packaging.
3. Fully unwind the power cable. Make sure that the power cable is not damaged and that you do not damage it during unwinding.

Start-up

When positioning the device, observe the minimum distance from walls or other objects as described in the chapter Technical annex.



- Before restarting the device, check the condition of the power cable. If there are doubts as to the sound condition, contact the customer service.
- Only put up the device in an upright, stable position on firm ground.

- Do not create tripping hazards when laying the power cable or other electric cables, especially when positioning the device in the middle of the room. Use cable bridges.
- Make sure that extension cables are completely unrolled.
- Make sure that no curtains or other objects interfere with the air flow.

Prior to initial start-up, insert batteries in the remote control.

Filling the water tank

The device requires fresh drinking water for air cooling.



Warning of electrical voltage

Before any work on the device, remove the mains plug from the mains socket!
Do not touch the mains plug with wet or damp hands. Hold onto the mains plug while pulling the power cable out of the mains socket.

Note

Fill the device with fresh drinking water only. The water temperature must not exceed 40 °C.



Info

If possible, change the water every 3 days to prevent bacterial growth.



Info

Optionally, you can put ice packs into the water tank for additional cooling.

Observe the following when using the ice packs:

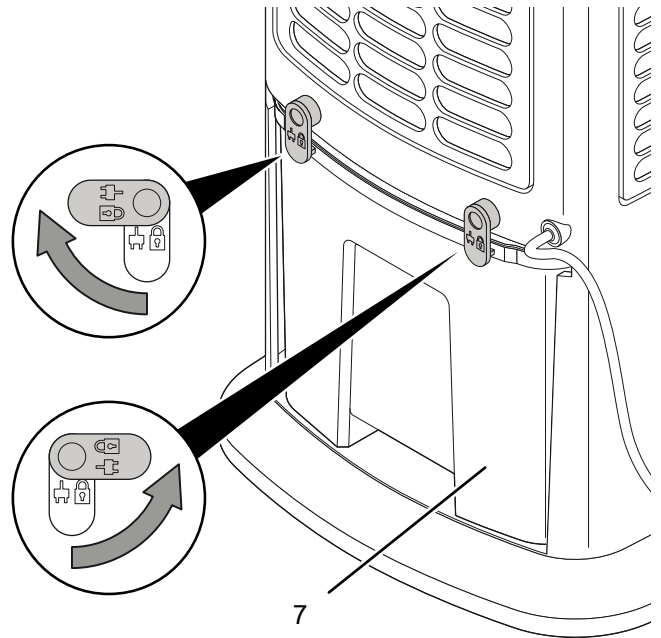
- Put the ice packs into a freezer for at least 4 hours before use.
- Put the ice packs into the water tank before filling water into the tank.



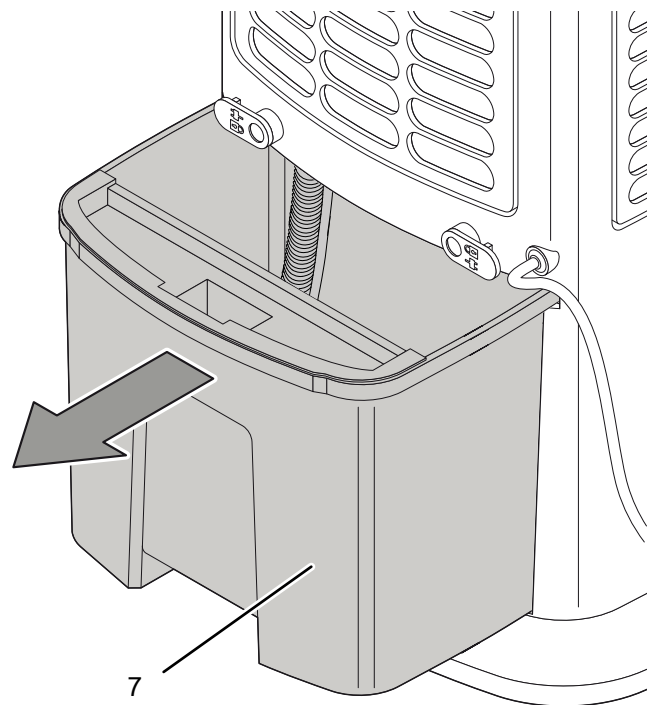
Info

When using ice packs at high outside temperatures, condensation may form at the water tank and drip onto the floor.

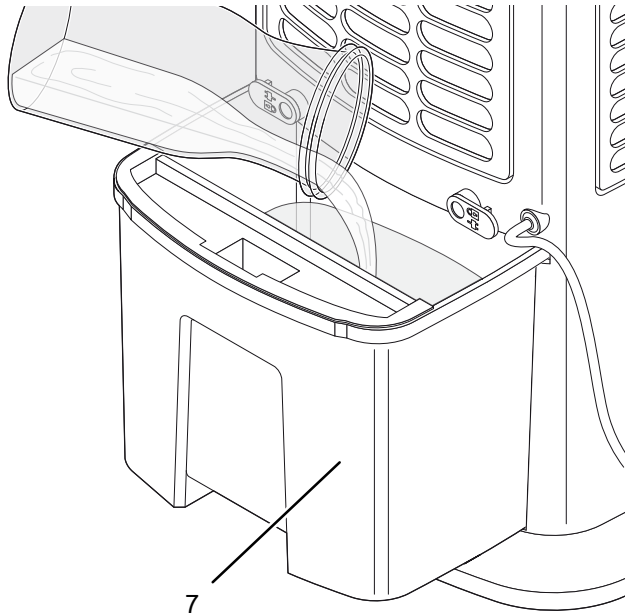
1. Disconnect the device from the mains before refilling water or putting ice packs into the device.
2. Release the water tank (7) by turning both clips from their vertical position into the horizontal position.



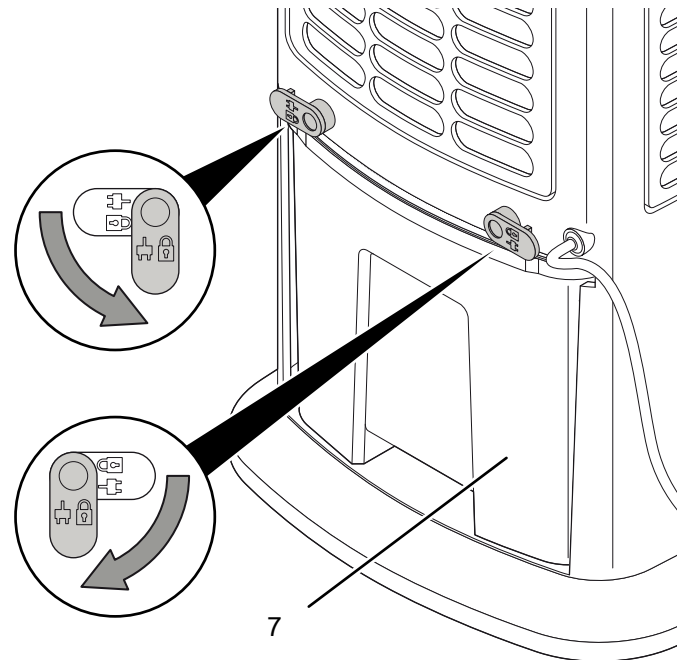
3. Pull the water tank (7) halfway out of the device. Make sure not to pull out the water tank beyond the indicated markings (see safety signs and labels on the device).



4. If required, put the ice packs into the water tank (7) for additional cooling.
5. Fill the water tank with fresh drinking water only.
Optionally, you can add ice cubes made of drinking water for additional cooling.
⇒ Observe the minimum and maximum filling level at the filling level indicator.
The water tank (7) must be filled up at least to minimum filling level to enable pump operation.

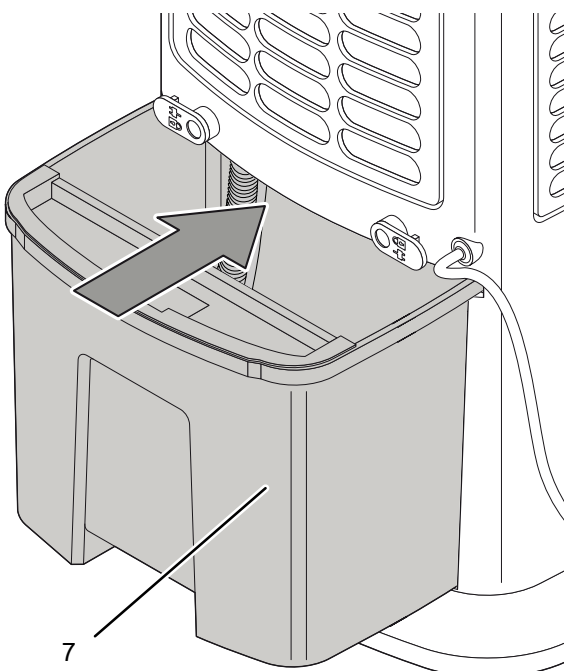


7. Lock the water tank (7) by turning the clips from their horizontal position into the vertical position.



8. Make sure that the device is neither damp nor wet on the outside. Otherwise wipe it dry.

6. Refit the water tank (7) completely back into the device.



Inserting evaporation filter and air filter

Note

When set to air cooling mode, the device must not be operated without the evaporation filter, otherwise *cooling* will not work.

Note

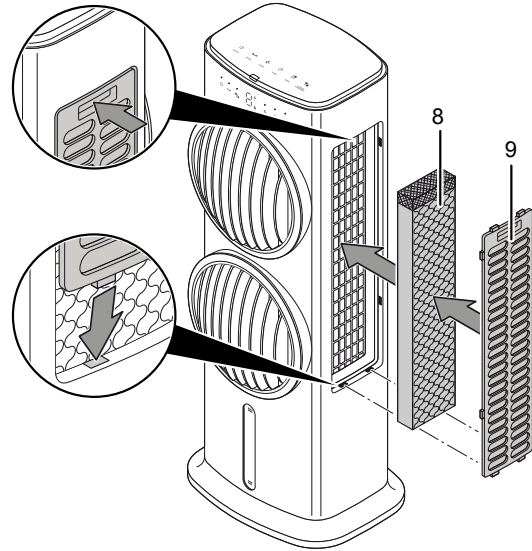
Do not operate the device without an air filter inserted into the air inlet!

Without the air filter, the inside of the device will be heavily contaminated. This could reduce the performance and result in damage to the device.

Note

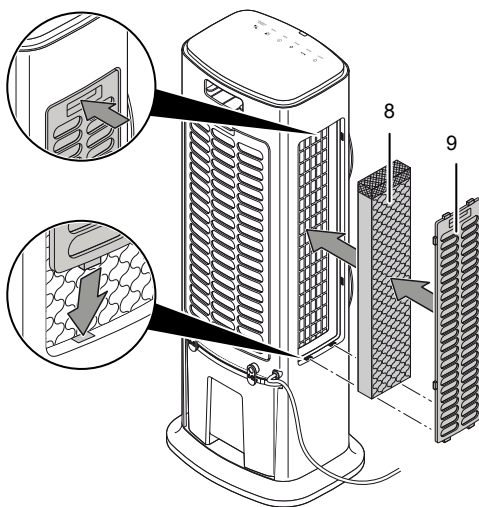
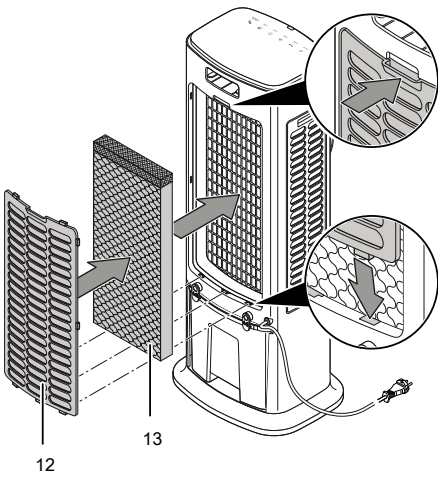
For an even distribution of water please make sure that the top section of the evaporation filter is positioned at the top.

- Make sure that both the evaporation and the air filter are installed before switching the device on.



Connecting the power cable

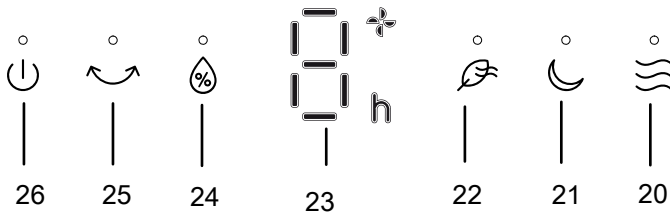
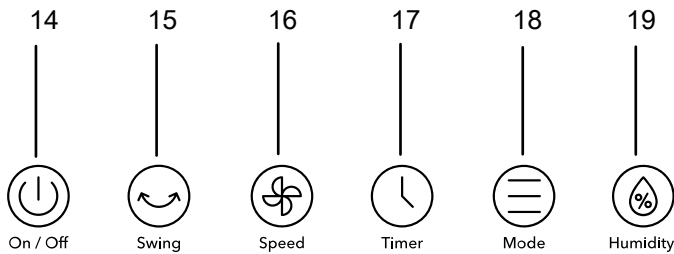
- Insert the mains plug into a properly secured mains socket.



Operation

- Avoid open doors and windows.

Control panel



Display

No.	Designation	Meaning
14	On/off button	Switching the device on and off
15	Swing button	Switching the swing function on or off
16	Speed button	For setting the fan speed
17	Timer button	Switching the timer on or off: 1 h – 9 h
18	Mode button	Selection button for <i>ventilation</i> , <i>night mode</i> and <i>ventilation</i>
19	Air cooling button	Switching the <i>air cooling</i> mode on or off
	Ventilation LED	Illuminated when ventilation mode is activated
21	Night mode LED	Illuminated when night mode is activated
22	Air freshening LED	Illuminated when air freshening mode is activated

No.	Designation	Meaning
23	Segment display	Fan speed indication: stage 1 = very low fan speed stage 2 = low fan speed stage 3 = medium fan speed stage 4 = high fan speed stage 5 = very high fan speed Indication of the number of hours during timer programming (1 h – 9 h)
24	Air cooling LED	Illuminated when <i>air cooling</i> mode is activated Flashes when water tank is empty
25	Swing LEDs	Illuminated when swing function is activated
26	On/off LED	Is illuminated when the device is switched on.

Switching the device on

Once you have completely installed the device as described in the chapter Assembly and start-up, you can switch it on.

1. Press the *on/off* button (14) on the device.
 - ⇒ An acoustic signal is emitted.
 - ⇒ The device starts with the previously selected settings.

Setting the operating mode

The device comes with the following operating modes:


- *Air cooling*
- *Ventilation*
- *Air freshening*
- *Night mode*

Air cooling

The *air cooling* mode can be switched on in addition during all other operating modes.

During *air cooling* mode, the pump is switched on and the water is distributed over the evaporation filter to cool the circulating air with water. In air cooling mode the air is humidified at the same time.

Please proceed as follows to activate *air cooling*:

- ✓ The water tank (7) must be filled up with water at least to the minimum filling level.
- 1. Press the *air cooling* button (19).
 - ⇒ The *air cooling* LED (24) is illuminated.
 - ⇒ The pump starts.
- 2. Press the *speed* button (16) to set the desired fan speed.
 - ⇒ The set fan speed and the  symbol are indicated on the segment display (23).
- 3. Press the *cooling* button (19) again to switch air cooling off.
 - ⇒ The *air cooling* LED (24) goes out.
 - ⇒ The device continues to run in the previously selected operating mode with the pump being switched off.

Note

When *Air cooling* mode is activated, the air and evaporation filter must not be removed, otherwise the water from the filter will drip down into the device.


Note

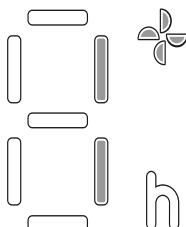
The air cooling LED (24) flashes when the water tank is empty. Fill the water tank as described in Filling the water tank.

Ventilation

In *ventilation* mode, you can select all 5 fan speeds manually.

Please proceed as follows to activate *ventilation*:


1. Press the *speed* button (16) until the desired fan stage is indicated on the segment display.
 - ⇒ The set fan speed and the  symbol are indicated on the segment display (23).



Air freshening

In *air freshening* mode, the fan speed increases and decreases alternately to generate a pleasant, natural air stream.


Please proceed as follows to activate *air freshening*:

1. Press the *mode* button (18) until the *air freshening* LED (22) is illuminated.
 - ⇒ The fan speed levels change automatically.
 - ⇒ The current fan speed and the  symbol are indicated on the segment display (23).

Night mode

In night mode, the device operates using a preset programme with different fan speeds to generate an air stream that is adapted to human sleeping habits.

Night mode can be activated in combination with the 5 fan speeds and *air cooling*.

1. Press the *mode* button (18) until the *night mode* LED (21) is illuminated.
2. Press the *speed* button (16) to set the desired fan speed.
 - ⇒ The set fan speed and the  symbol are indicated on the segment display (23).
 - ⇒ The air current automatically regulates at all fan speeds. After 30 minutes, the device always switches over to a lower stage until fan stage 1 is reached.



Info

If you activate *air cooling*, an alarm signal will be emitted when the water tank is empty, even in night mode.

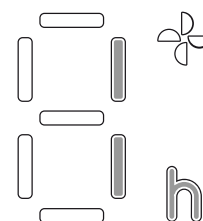
Setting the timer

The function can be set in addition in all operating modes.

The number of hours can be set in hourly increments (1 h to 9 h).

Automatic switch-off

- ✓ The device is switched on.
- 1. Press the *timer* button (17) until the desired number of hours is shown on the segment display (23).
 - ⇒ The segment display (23) indicates the set number of hours and the **h** symbol.



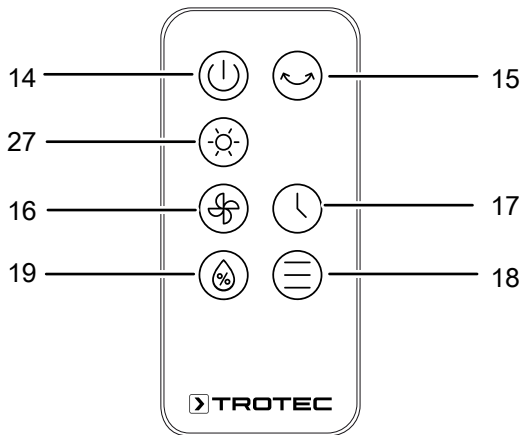
- ⇒ The timer programming is activated.
- ⇒ The timer setting equals the desired number of hours.
- ⇒ The device switches off automatically after the set number of hours has elapsed.

Notes regarding automatic switch-off:

- Pressing the *on/off* button (14) deactivates the automatic switch-off function.

Remote control

All settings of the device can also be made using the remote control included in the scope of delivery.



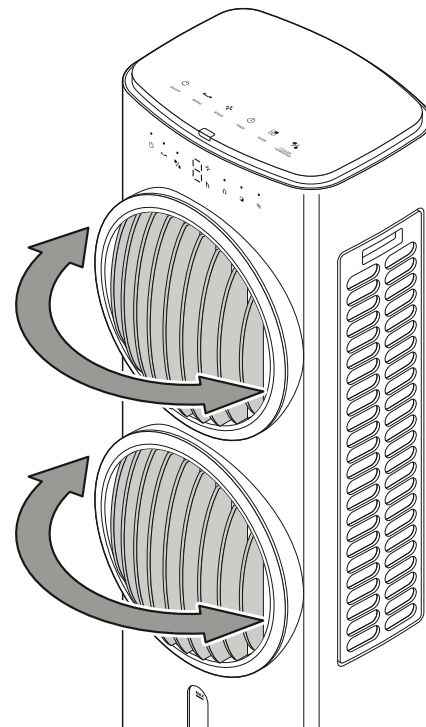
No.	Designation	Meaning
14	<i>On/off</i> button	Switching the device on or off
15	<i>Swing</i> button	Switching the swing function on or off
16	<i>Speed</i> button	Increase or decrease fan speed
17	<i>Timer</i> button	Switching the timer on or off: 1 h – 9 h
18	<i>Mode</i> button	Selection button for <i>ventilation</i> , <i>air freshening</i> and <i>night mode</i>
19	<i>Air cooling</i> button	Switching the <i>air cooling</i> mode on or off
27	<i>Screen</i> button	Switching the LEDs on the control panel on or off

Swing function

The swing function can be switched on in any operating mode if required.

With the swing function being switched on, the vertical ventilation flaps move automatically and ensure continuous air circulation.

1. Press the *swing* button (15) to switch the swing function on or off.



Memory function

If you switch the device back on from standby mode, the settings selected for the operating mode and swing function are saved. Any activated timer will not be saved in the device.

Refilling water

An empty water tank is indicated by the device if the *air cooling* LED (24) flashes. In this case, the water tank must be refilled.

The device requires fresh drinking water for air cooling:



Warning of electrical voltage

Before any work on the device, remove the mains plug from the mains socket!
Do not touch the mains plug with wet or damp hands. Hold onto the mains plug while pulling the power cable out of the mains socket.

Note

Fill the device with fresh drinking water only. The water temperature must not exceed 40 °C.



Info

If possible, change the water every 3 days to prevent bacterial growth.

- Put the ice packs into a freezer for at least 4 hours before use.
- Put the ice packs into the water tank before filling water into the tank.

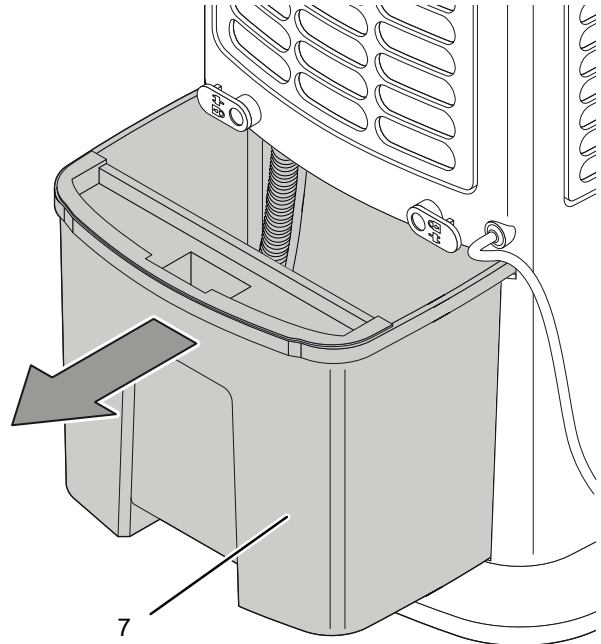


Info

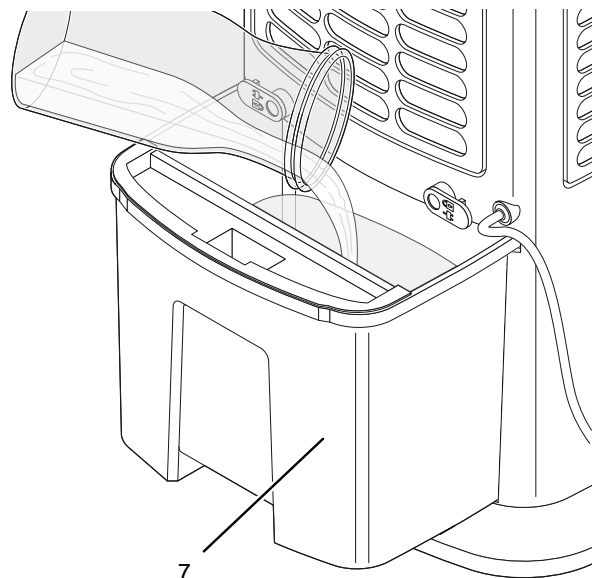
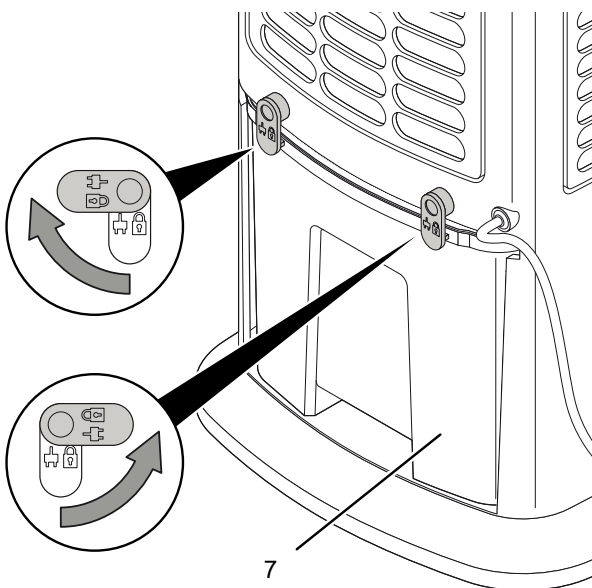
When using ice packs at high outside temperatures, condensation may form at the water tank and drip onto the floor.

1. Disconnect the device from the mains before refilling water or putting ice packs into the device.
2. Release the water tank (7) by turning both clips from their vertical position into the horizontal position.

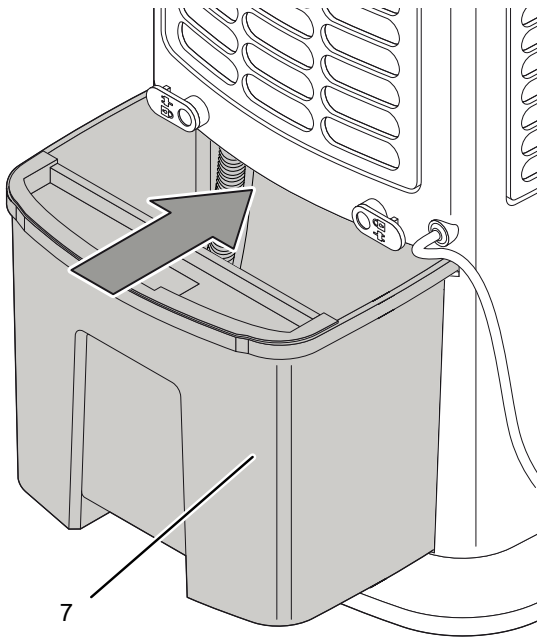
3. Pull the water tank (7) halfway out of the device. Make sure not to pull out the water tank beyond the indicated markings (see safety signs and labels on the device).



4. If required, put the ice packs into the water tank (7) for additional cooling.
5. Fill the water tank with fresh drinking water only. Optionally, you can add ice cubes made of drinking water for additional cooling.
 - ⇒ Observe the minimum and maximum filling level at the filling level indicator. The water tank (7) must be filled up at least to minimum filling level to enable pump operation.



6. Refit the water tank (7) completely back into the device.



Shutdown



Warning of electrical voltage

Do not touch the mains plug with wet or damp hands.

- Switch the device off.
- Hold onto the mains plug while pulling the power cable out of the mains socket.
- Empty and clean the water tank (see chapter Maintenance).
- Clean the device according to the Maintenance chapter.
- Store the device according to the Transport and storage chapter.

Available accessories



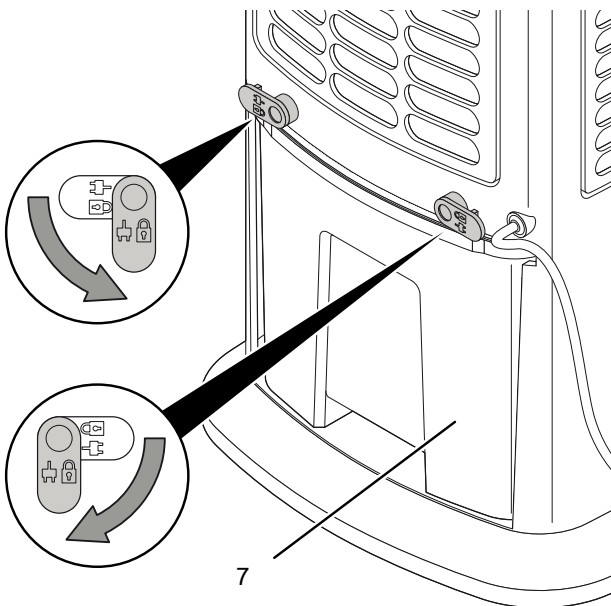
Warning

Only use accessories and additional equipment specified in the operating manual.

Using insertion tools or accessories other than those specified in the operating manual may cause a risk of injury.

Designation	Article number
Evaporation filter PAE 45	7.710.000.067
Air filter PAE 45	7.710.000.066

7. Lock the water tank (7) by turning the clips from their horizontal position into the vertical position.



8. Make sure that the device is neither damp nor wet on the outside. Otherwise wipe it dry.

Errors and faults

The device has been checked for proper functioning several times during production. If malfunctions occur nonetheless, check the device according to the following list.

The device does not start:

- Check the power connection.
- Check the power cable and mains plug for damage.
- Check the on-site fusing.
- Wait for 10 minutes before restarting the device. If the device is not starting, have the electrics checked by a specialist company or by Trotec.

The device works with reduced or no capacity:

- Check the position of the horizontal ventilation flaps. They should be opened to the maximum.
- Check the air filter for dirt. If necessary, clean or replace the air filter.
- Check the minimum distance to walls or other objects. Position the device a little more in the room's centre if required.

The device is running, but there is no air cooling or pump operation:

- Check whether *air cooling* mode is activated.
- Check the filling level of the water tank (see Filling the water tank).
- Check whether there are any objects blocking the pump inlet. Make sure that the pump inlet is not blocked.
- In case the pump does not operate despite a correctly filled water tank and activated air cooling mode, the pump might be defective. Please contact the customer service.

- Make sure that the pump is correctly installed and secured in the water tank (see Filling the water tank).

Water is leaking:

- Check the device for leaks.
- Check the water tank for tight fit.

The swing function is not working:

- The swing function motor might be defective. Please contact the customer service.

The device is loud or vibrates:

- Check whether the device is set up in a stable and upright position.

The device does not respond to the infrared remote control:

- Check whether the distance between remote control and device is too large and reduce it if necessary.
- Make sure there are no obstacles, such as furniture or walls, between the device and the remote control. Ensure visual contact between device and remote control.
- Check the charging status of the batteries and change them if required.
- If the batteries have just been changed, check them for correct polarity.

The device still does not operate correctly after these checks:

Please contact the customer service. If necessary, bring the device to an authorised specialist electrical company or to Trotec for repair.

Maintenance

Maintenance intervals

Maintenance and care interval	before every start-up	as needed	every 3 days	at least every 2 weeks	at least every 4 weeks	at least annually
Clean the water tank			X			
Check air inlets and outlets for dirt and foreign objects and clean if necessary	X				X	
Clean the exterior		X				X
Visually check the inside of the device for dirt		X				X
Check the air filter for dirt and foreign objects and clean if necessary	X			X		
Replacing the evaporation filter		X				
Check for damage	X					
Check the attachment screws		X				X
Test run						X

Maintenance and care log

Device type:

Device number:

Maintenance and care interval	1	2	3	4	5	6	7	8	9	10	11	12	13	14	15	16
Clean the water tank																
Check air inlets and outlets for dirt and foreign objects and clean if necessary																
Clean the exterior																
Visually check the inside of the device for dirt																
Check the air filter for dirt and foreign objects and clean if necessary																
Replacing the evaporation filter																
Check for damage																
Check attachment screws																
Test run																
Remarks:																

1. Date:	2. Date:	3. Date:	4. Date:
Signature:	Signature:	Signature:	Signature:
5. Date:	6. Date:	7. Date:	8. Date:
Signature:	Signature:	Signature:	Signature:
9. Date:	10. Date:	11. Date:	12. Date:
Signature:	Signature:	Signature:	Signature:
13. Date:	14. Date:	15. Date:	16. Date:
Signature:	Signature:	Signature:	Signature:

Activities required before starting maintenance



Warning of electrical voltage

Do not touch the mains plug with wet or damp hands.

- Switch the device off.
- Hold onto the mains plug while pulling the power cable out of the mains socket.

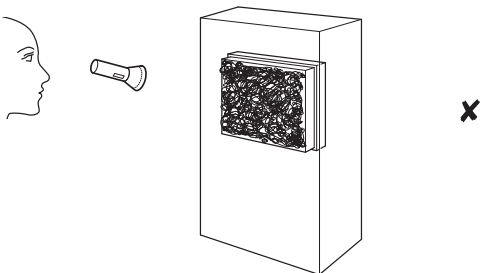
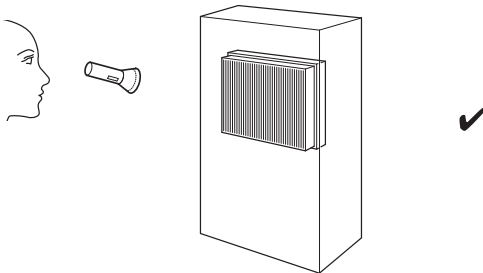


Warning of electrical voltage

Tasks which require the device to be opened must only be carried out by authorised specialist companies or by Trotec.

Visual inspection of the inside of the device for dirt

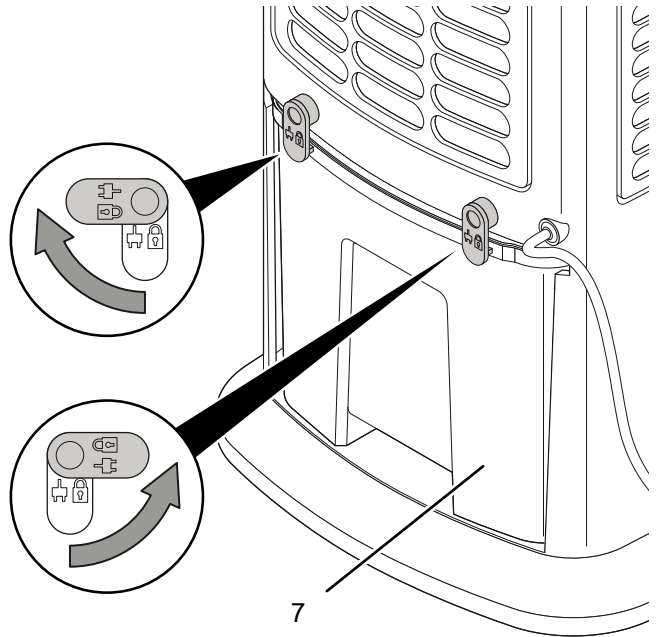
1. Remove the air filter.
2. Use a torch to illuminate the openings of the device.
3. Check the inside of the device for dirt.
4. If you see a thick layer of dust, have the inside of the device cleaned by a specialist electrical company or by Trotec.
5. Put the air filter back in.



Cleaning the water tank

The water tank should be cleaned every 3 days if actively used. Use household vinegar as cleaning/descaling agent. Observe the manufacturer's specifications and hazard warnings of the descaling agent. Before a longer period of non-use or storage the water tank must be drained.

1. Release the water tank (7) by turning the clips from their vertical position into the horizontal position.

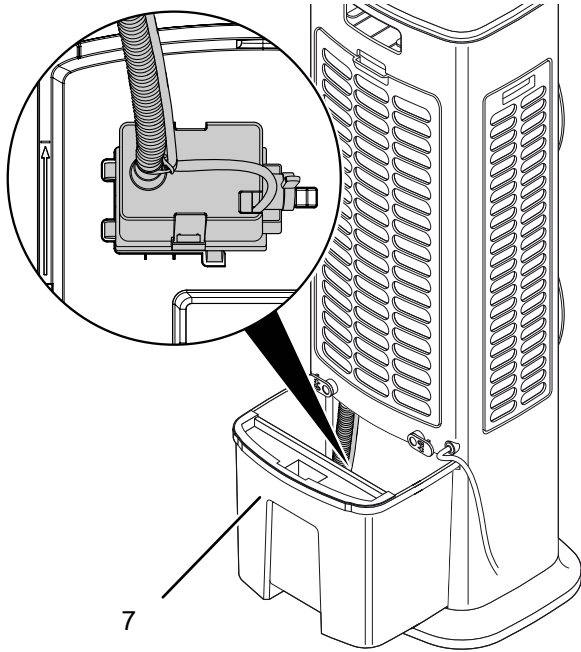


2. Pull the water tank out a little from the device.

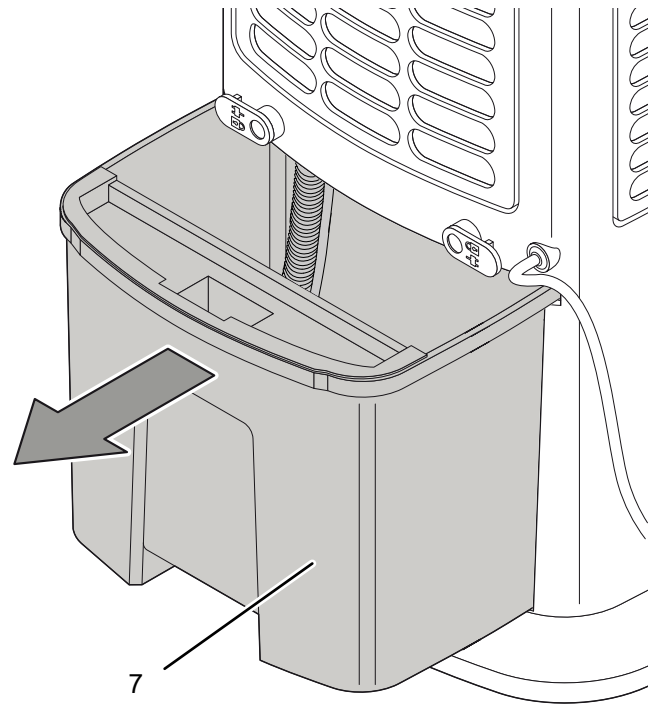
Cleaning the housing

Clean the housing with a soft, damp and lint-free cloth. Make sure that no moisture enters the housing. Protect electrical components from moisture. Do not use any aggressive cleaning agents such as cleaning sprays, solvents, alcohol-based or abrasive cleaners to dampen the cloth.

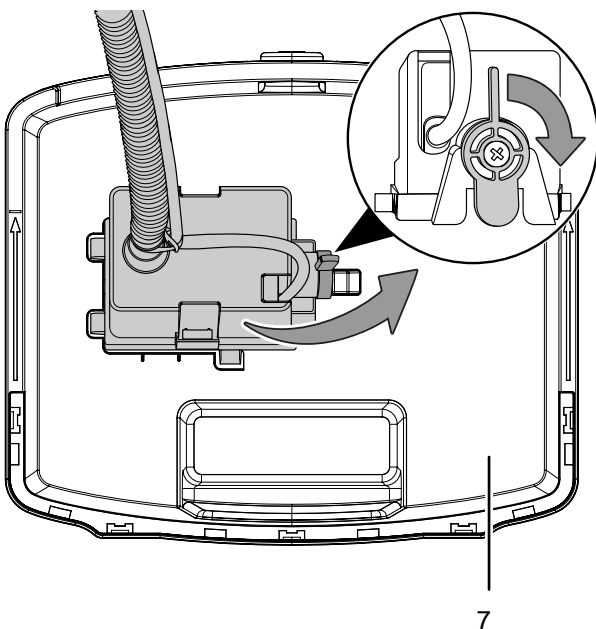
3. Release the pump and remove it from the water tank by turning the switch to a horizontal position as indicated, then remove the pump from the holder. While doing this, make sure not to damage or loosen the connected cable or the hose attached to the pump.



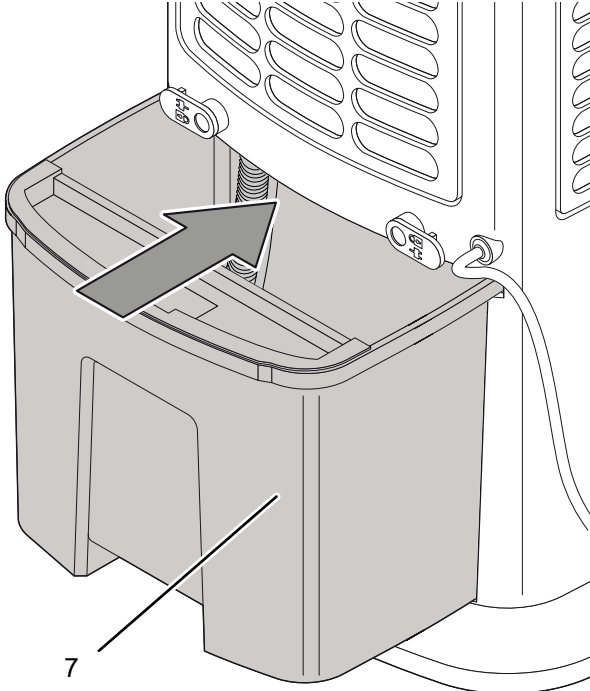
4. Remove the water tank from the device.



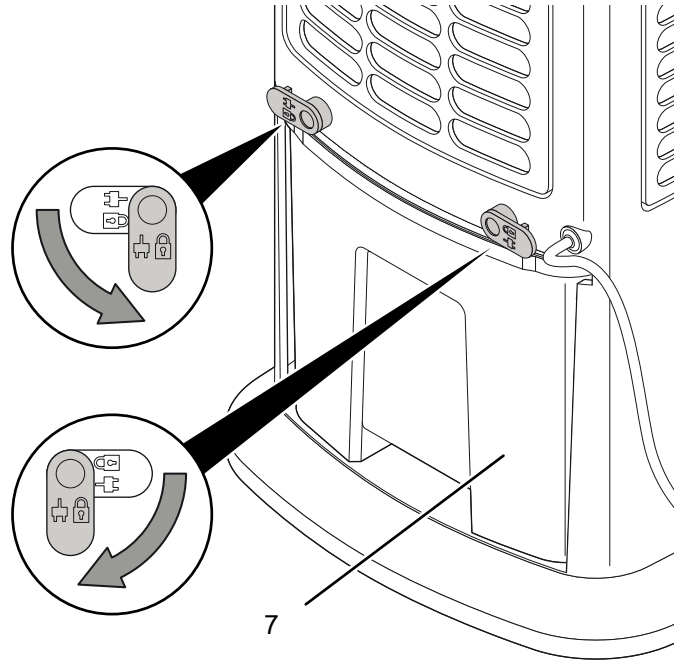
5. Thoroughly rinse the water tank in a sink or similar.
6. Thoroughly rinse the water tank with household vinegar (descaling agent).
7. Then rinse the inside of the device with water.
8. Dry the inside of the water tank with a lint-free cloth.



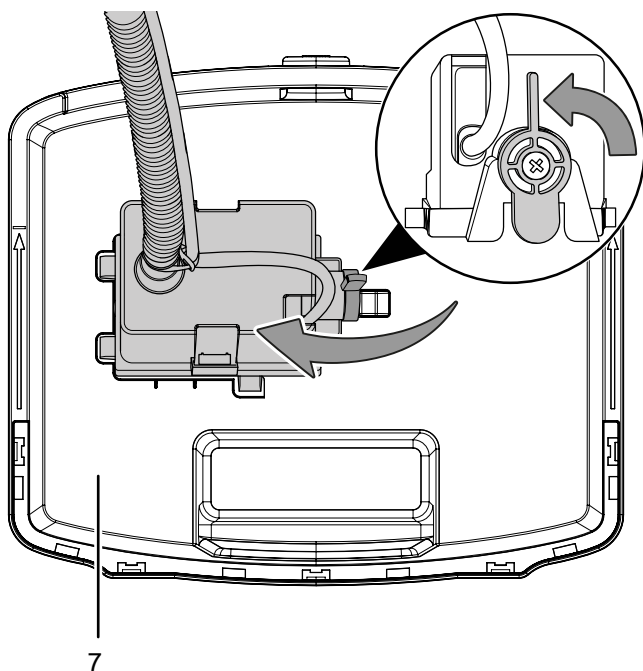
9. Refit the water tank (7) halfway back into the device. Make sure that the water tank does not protrude beyond the indicated markings (see safety signs and labels on the device).



11. Slide the water tank (7) completely back into the device.
12. Lock the water tank (7) by turning the clips from their horizontal position into the vertical position.



10. Secure the pump in the water tank by inserting the pump into the holder and then turning the switch to a vertical position as indicated. While doing this, make sure not to damage or loosen the connected cable or the hose attached to the pump.



13. Fill the water tank with fresh drinking water if you want to continue operation (see Adding water).

Cleaning the air filter

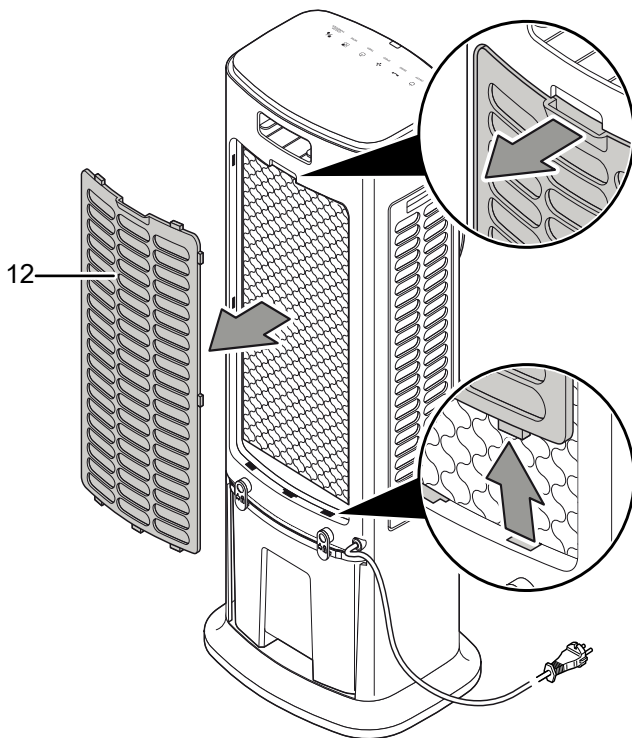
The air filters have to be cleaned as soon as they are dirty. This is brought to light e.g. by a reduced capacity (see chapter Errors and faults).



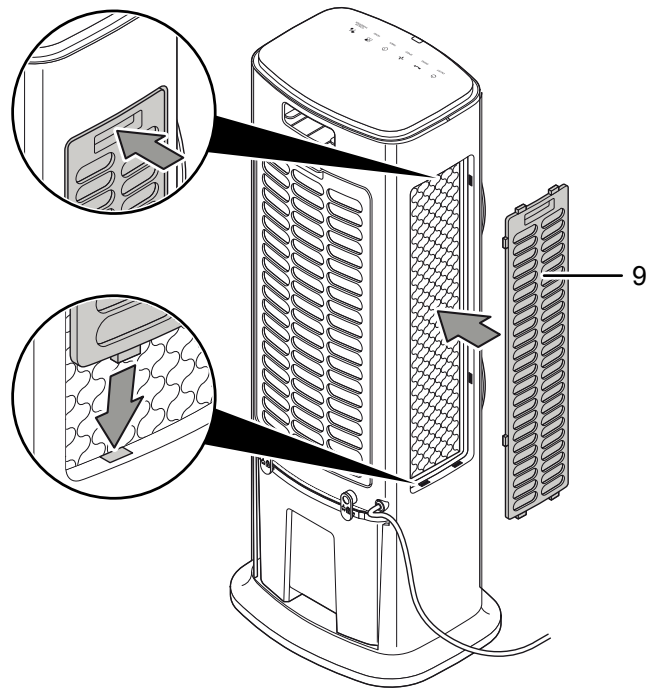
Warning

Ensure that the air filters are neither worn nor damaged. The corners and edges of the air filters must not be deformed or rounded. Before reinserting the air filters, make sure that they are undamaged and dry!

1. Remove the rear air inlet (12) from the device.

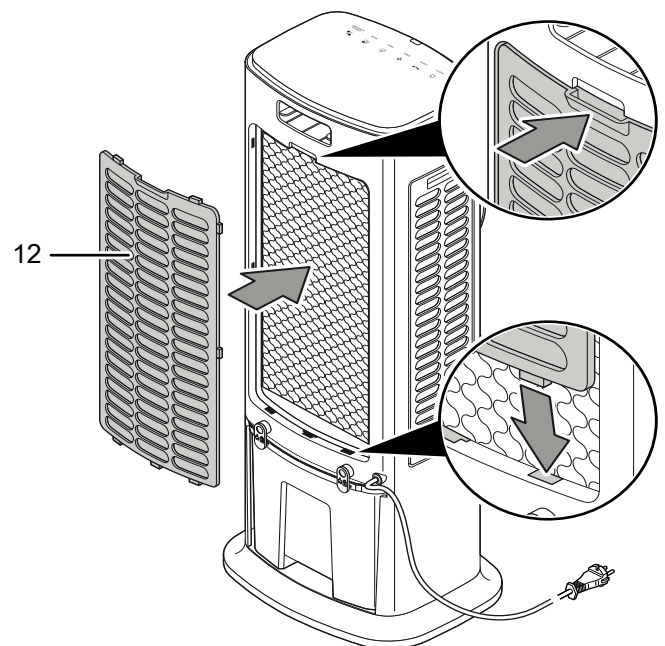
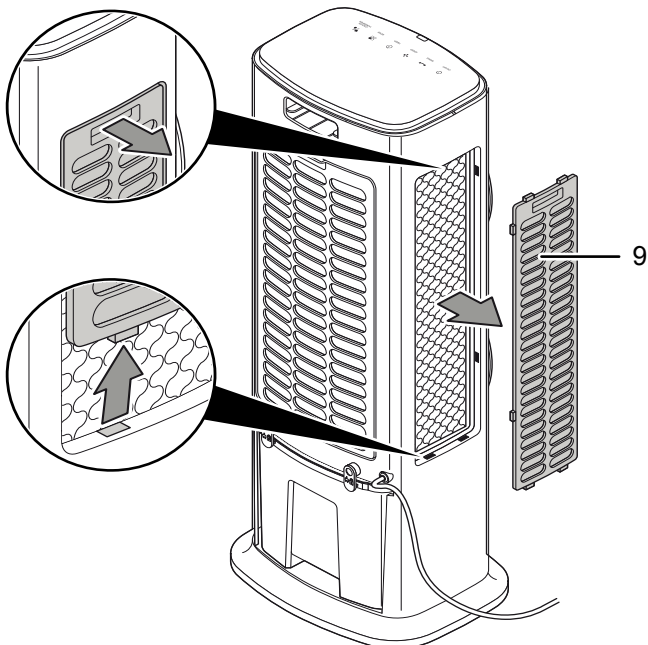


5. Place the side air inlets (9) with air filters back on both sides of the device.



2. Remove the air inlets (9) with air filters from both sides of the device.

6. Reinsert the rear air inlet (12) with air filter back on the device.



3. Clean the filters using a slightly damp, soft, lint-free cloth. If the filters are heavily contaminated, clean them with warm water mixed with a neutral cleaning agent.
4. Allow the filters to dry completely. Do not put any wet filters into the device!

Replacing the evaporation filter

Note

When set to air cooling mode, the device must not be operated without the evaporation filter, otherwise *cooling* will not work.

Note

Do not operate the device without an inserted air filter! Without the air filter, the inside of the device will be heavily contaminated. This could reduce the performance and result in damage to the device.

Note

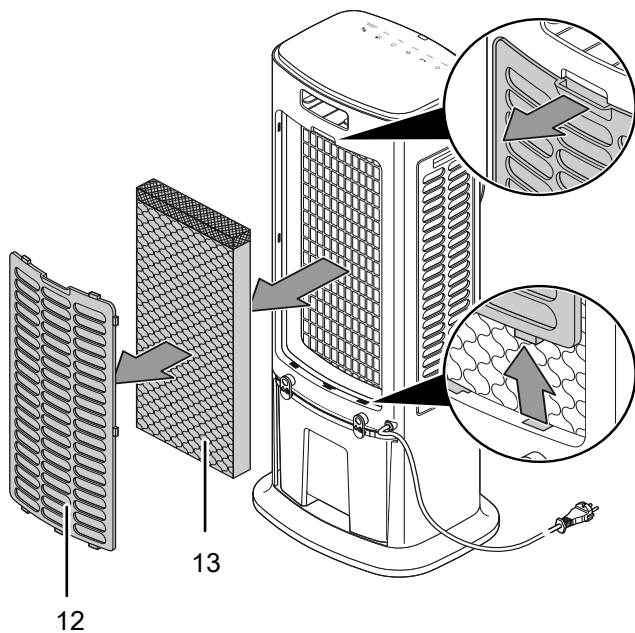
For an even distribution of water please make sure that the top section of the evaporation filter is positioned at the top.

The evaporation filter should be replaced in case of heavy soiling.

In standard operation, the interval for replacing the evaporation filter is approx. 1 year.

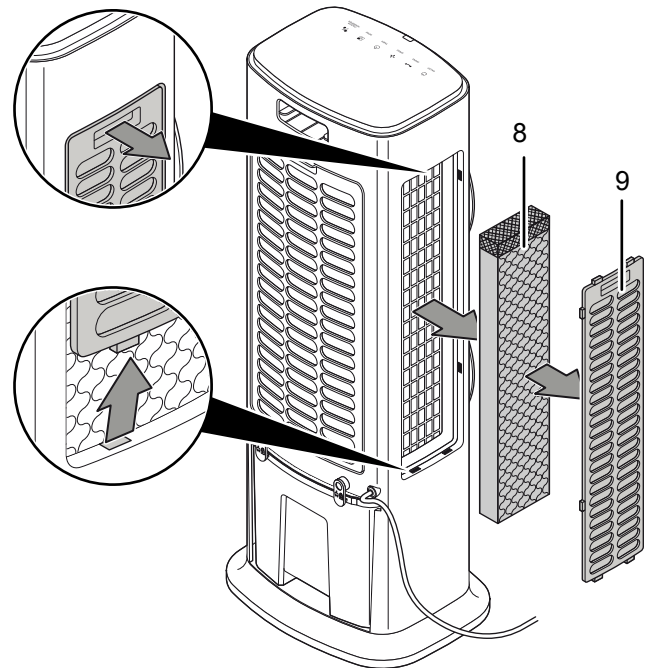
Allow the evaporation filter to dry before removing it from the device.

1. Remove the rear air inlet (12) from the device.
2. Remove the rear evaporation filter (13) from the device.

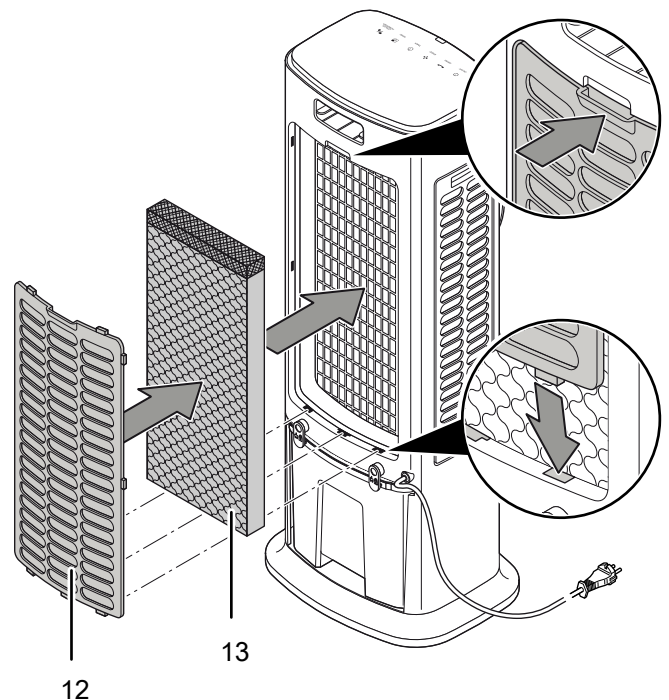


3. Remove the air inlets (9) with air filters from both sides of the device.

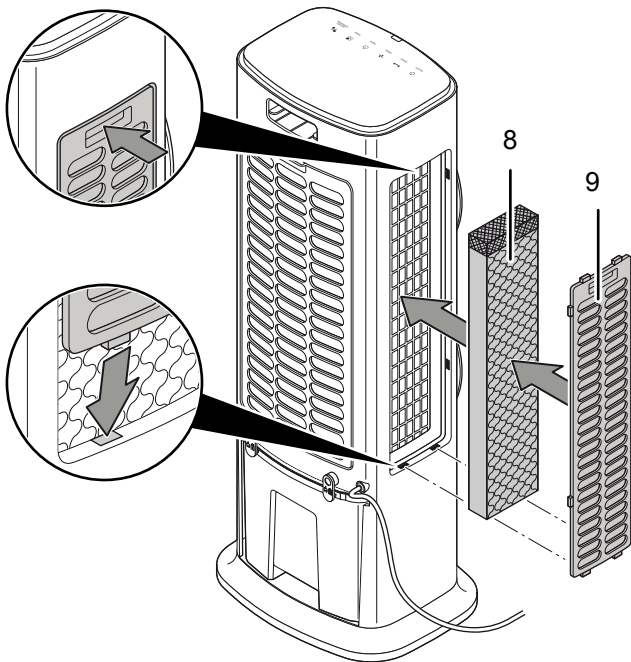
4. Remove the evaporation filters (8) from both sides of the device.



5. Dispose of used evaporation filters according to the national regulations.
6. Insert the new rear evaporation filter (13) on the device.
7. Reinsert the rear air inlet (12) with air filter back on the device.



8. Insert the evaporation filters (8) on both sides of the device.
9. Insert the air inlets with air filters (9) on both sides of the device.



Activities required after maintenance

If you want to continue using the device:

- Reconnect the device to the mains.

If you do not intend to use the device for a considerable time:

- Store the device according to the Transport and storage chapter.

Technical annex

Technical data

Parameter	Value
Model	PAE 45
Evaporation capacity	1200 ml/h
Air flow rate	1700 m ³ /h
Mains connection	220-240 V / 50 Hz
Nominal current consumption	0.2 A
Power consumption	90 W
Sound pressure level (1 m distance)	60 dB(A)
Water tank capacity	10 l
Weight	7.5 kg
Dimensions (length x width x height)	290 x 368 x 940 mm
Minimum distance to walls and other objects:	
	top (A): 100 cm
	rear (B): 100 cm
	sides (C): 100 cm
	front (D): 100 cm
Remote control batteries	3 V CR2032

Disposal



The icon with the crossed-out waste bin on waste electrical or electronic equipment stipulates that this equipment must not be disposed of with the household waste at the end of its life. You will find collection points for free return of waste electrical and electronic equipment in your vicinity. The addresses can be obtained from your municipality or local administration. You can also find out about other return options that apply for many EU countries on the website <https://hub.trotec.com/?id=45090>. Otherwise, please contact an official recycling centre for electronic and electrical equipment authorised for your country.

The separate collection of waste electrical and electronic equipment aims to enable the re-use, recycling and other forms of recovery of waste equipment as well as to prevent negative effects for the environment and human health caused by the disposal of hazardous substances potentially contained in the equipment.



In the European Union, batteries and accumulators must not be treated as domestic waste, but must be disposed of professionally in accordance with Directive 2006/66/EC of the European Parliament and of the Council of 6 September 2006 on batteries and accumulators. Please dispose of batteries and accumulators according to the relevant legal requirements.

Trotec GmbH

Grebener Str. 7
D-52525 Heinsberg

☎ +49 2452 962-400

☎ +49 2452 962-200

✉ info@trotec.com

www.trotec.com