

TTK 67 E / TTK 68 E / TTK 73 E

EN

INSTRUCTIONS
DEHUMIDIFIER



Table of contents

Information on the use of this instructions 2

Safety 2

Information about the device..... 5

Transport and storage..... 6

Assembly and start-up..... 7

Operation 8

Errors and faults..... 12

Maintenance 14

Technical annex..... 18

Disposal 27

Information on the use of this instructions

Symbols



Danger

This symbol indicates dangers to the life and health of persons due to extremely flammable gas.



Warning of electrical voltage

This symbol indicates dangers to the life and health of persons due to electrical voltage.



Warning

This signal word indicates a hazard with an average risk level which, if not avoided, can result in serious injury or death.



Caution

This signal word indicates a hazard with a low risk level which, if not avoided, can result in minor or moderate injury.

Note

This signal word indicates important information (e.g. material damage), but does not indicate hazards.



Info

Information marked with this symbol helps you to carry out your tasks quickly and safely.



Follow the manual

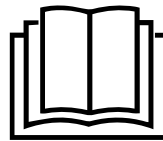
Information marked with this symbol indicates that the instructions must be observed.

You can download the current version of the instructions and the EU declaration of conformity via the following link:

TTK 67 E



<https://hub.trotec.com/?id=45050>



TTK 68 E



<https://hub.trotec.com/?id=41544>

TTK 73 E



<https://hub.trotec.com/?id=45051>

Safety

Read this manual carefully before starting or using the device. Always store the manual in the immediate vicinity of the device or its site of use.



Warning

Read all safety warnings and all instructions.

Failure to follow the warnings and instructions may result in electric shock, fire and/or serious injury.

Save all warnings and instructions for future reference.

This appliance can be used by children aged from 8 years and above and persons with reduced physical, sensory or mental capabilities or lack of experience and knowledge if they have been given supervision or instruction concerning use of the appliance in a safe way and understand the hazards involved.

Children shall not play with the appliance. Cleaning and user maintenance shall not be made by children without supervision.

- Do not use the device in potentially explosive rooms or areas and do not install it there.
- Do not use the device in aggressive atmosphere.
- Only put up the device in an upright, stable position on firm ground.

- Let the device dry out after a wet clean. Do not operate it when wet.
- Do not use the device with wet or damp hands.
- Do not expose the device to directly squirting water.
- Do not cover the device during operation.
- Do not sit on the device.
- This appliance is not a toy. Keep away from children and animals.
- Occasionally observe the device during operation.
- Check accessories and connection parts for possible damage prior to every use of the device. Do not use any defective devices or device parts.
- Ensure that all electric cables outside of the device are protected from damage (e.g. caused by animals). Never use the device if electric cables or the power connection are damaged!
- The mains connection must correspond to the specifications in the Technical annex.
- Insert the mains plug into a properly fused mains socket.
- Observe the device's power input, cable length and intended use when selecting extensions to the power cable. Completely unroll extension cables. Avoid electrical overload.
- Do not under any circumstances use the device if you detect damages on the mains plug or power cable. If the power cable is damaged, it must be replaced by the manufacturer, its service agent or similarly qualified persons in order to avoid a hazard. Defective power cables pose a serious health risk!
- Before carrying out maintenance, care or repair work on the device, remove the mains plug from the mains socket. Hold onto the mains plug while doing so.
- Switch the device off and disconnect the power cable from the mains socket when the device is not in use.
- When positioning the device, observe the minimum distances from walls and other objects as well as the storage and operating conditions specified in the Technical annex.
- Make sure that the air inlet and outlet are not obstructed.
- Make sure that the suction side is kept free of dirt and loose objects.
- Never insert any objects or limbs into the device.
- Do not remove any safety signs, stickers or labels from the device. Keep all safety signs, stickers and labels in legible condition.
- Only transport the device in an upright position with an emptied condensation tank or drain hose.
- Discharge the collected condensate before transport and storage. Do not drink it. Health hazard!

- Only use original spare parts, for otherwise safe and functional operation cannot be ensured.



Safety warnings for devices containing flammable refrigerants

- Only position the device in rooms where potentially leaking refrigerant cannot accumulate. Unventilated rooms, in which the device is installed, operated or stored, must be built in a way to ensure that potentially leaking refrigerant cannot accumulate. This serves to avoid fire or explosion hazards resulting from an ignition of the refrigerant by an electric furnace, cooking stove or another ignition source.
- Only position the device in rooms where there is no source of ignition (e.g. open flames, an active gas appliance or an electric heater).
- Please note that the refrigerant is odourless.
- Only install the device in compliance with the national installation regulations.
- Please observe the local regulations.
- Observe the national gas regulations.
- Only install, operate and store the device TTK 67 E / TTK 68 E / TTK 73 E in a room measuring more than 4 m².
- Store the device in a way that no mechanical damage can occur.
- Please note that the connected pipelines must not contain any sources of ignition.
- R290 is a refrigerant that complies with European environmental regulations. No part of the cooling circuit may be perforated.
- Observe the maximum refrigerant capacity in the technical data.
- Do not drill through or burn.
- Do not use any means other than those recommended by the manufacturer for accelerating the defrosting process.
- Every person working with or at the refrigerant circuit must be able to provide a certificate of qualification issued by a body accredited by the industry, demonstrating their competence in the safe use of refrigerants based on a procedure well-known in the industry.
- Service work may only be carried out in accordance with the manufacturer's specifications. If maintenance and repair work require the support of additional persons, the person trained in handling flammable refrigerants shall continuously supervise the work carried out.
- The entire refrigerant circuit is a maintenance-free, hermetically sealed system and may only be maintained or repaired by specialist companies for cooling and air-conditioning or by Trotec.

Intended use

Only use the device for drying and dehumidifying room air, while adhering to and following the technical data.

In addition, the device may also be used as a kind of clothes dryer to dry wet laundry.

Intended use comprises:

- dehumidifying and drying:
 - living rooms, bedrooms and basements
 - bathrooms
 - holiday homes, caravans
- maintaining the dryness of:
 - storage spaces, archives, laboratories, garages
 - changing rooms etc.

Any use other than the intended use is regarded as misuse.

Reasonably foreseeable misuse

- The device is not intended for industrial use.
- Do not place any objects, e.g. clothing, on the device.
- Do not use the device out of doors.
- Never immerse the device in water.
- Do not make any unauthorised modifications, alterations or structural changes to the device.
- Do not place the device on wet or flooded ground, e.g. near floor drains.

Personnel qualifications

People who use this device must:

- be aware of the dangers that occur when working with electric devices in damp areas.
- have read and understood the instructions, especially the Safety chapter.

Maintenance tasks which require the housing to be opened must only be carried out by specialist companies for cooling and air-conditioning or by Trotec.

Safety signs and labels on the device

Note

Do not remove any safety signs, stickers or labels from the device. Keep all safety signs, stickers and labels in legible condition.



The following safety signs and labels are attached to the device:
TTK 67 E / TTK 68 E / TTK 73 E

WARNING • WARNUNG • ATTENTION

DE Das Gerät muss in einem Raum mit einer Grundfläche größer als 4 m² aufgestellt, betrieben und gelagert werden.

EN Appliance shall be installed, operated and stored in a room with floor area larger than 4 m².

FR L'appareil doit être installé, utilisé et entreposé dans une pièce avec une surface supérieure à 4 m².



Follow the manual

This symbol indicates that the instructions must be observed.



Follow the repair manual

Disposal, maintenance and repair work of the refrigerant circuit may only be carried out in accordance with the manufacturer's specifications and by persons having a certificate of qualification. A corresponding repair manual is available from the manufacturer upon request.

Residual risks



Danger

Natural refrigerant propane (R290)!

- H220 – Extremely flammable gas.
- H280 – Contains gas under pressure; may explode if heated.
- P210 – Keep away from heat, sparks, open flames and other ignition sources. No smoking.
- P377 – Leaking gas fire: Do not extinguish, unless leak can be stopped safely.
- P410+P403 – Protect from sunlight. Store in a well-ventilated place.



Warning of electrical voltage

Work on the electrical components must only be carried out by an authorised specialist company!



Warning of electrical voltage

Risk of electric shock!

The device is not protected against water.

There is a risk of electric shock!

Never use the device in areas where dripping, spraying or running water can enter the device! Never immerse the device in water!



Warning of electrical voltage

Before any work on the device, remove the mains plug from the mains socket!

Do not touch the mains plug with wet or damp hands.

Hold onto the mains plug while pulling the power cable out of the mains socket.



Warning

Dangers can occur at the device when it is used by untrained people in an unprofessional or improper way! Observe the personnel qualifications!



Warning

The device is not a toy and does not belong in the hands of children.



Warning

Risk of suffocation!

Do not leave the packaging lying around. Children may use it as a dangerous toy.

Note

Do not operate the device without an air filter inserted into the air inlet!

Without the air filter, the inside of the device will be heavily contaminated. This could reduce the performance and result in damage to the device.

Behaviour in the event of an emergency

1. Switch the device off.
2. Disconnect the device from the mains feed-in: Hold onto the mains plug while pulling the power cable out of the mains socket.
3. Do not reconnect a defective device to the mains.

Information about the device

Device description

The device uses the principle of condensation to automatically dehumidify rooms.

The fan sucks damp room air through the air inlet, the air filter, the evaporator and to the condenser located behind it. The air is cooled at the cold evaporator until it is below the dew point.

Water vapour contained in the room air precipitates on the evaporator fins as condensation or rime. The dehumidified, cooled air is slightly warmed at the condenser and blown out again. The drier air thus conditioned mixes with the air in the room. The humidity in the room where the device is positioned is reduced as air constantly circulates through the device.

Depending on the air temperature and the relative humidity, the condensed water either drops continuously or only during the defrost phase through the integrated drain nozzle into the condensation tank below. It is fitted with a float to measure the filling level.

The device has a control panel for operating and controlling the functions.

Once the maximum fill level of the condensation tank is reached, the condensation tank indicator light (see chapter Operation) on the control panel is illuminated. The device switches off. The condensation tank indicator light only goes out again once the emptied condensation tank is reinserted. On the TTK 67 E and TTK 73 E, the indicator lights also light up if the condensate tanks are not inserted correctly.

Optionally, the condensed water can be drained by attaching a hose ($\varnothing = 14 \text{ mm}$) at the condensation connection.

The device can reduce the relative humidity of a room to approx. 30 %.

In addition, the device may also be used as a kind of clothes dryer to dry wet laundry in living or working spaces.

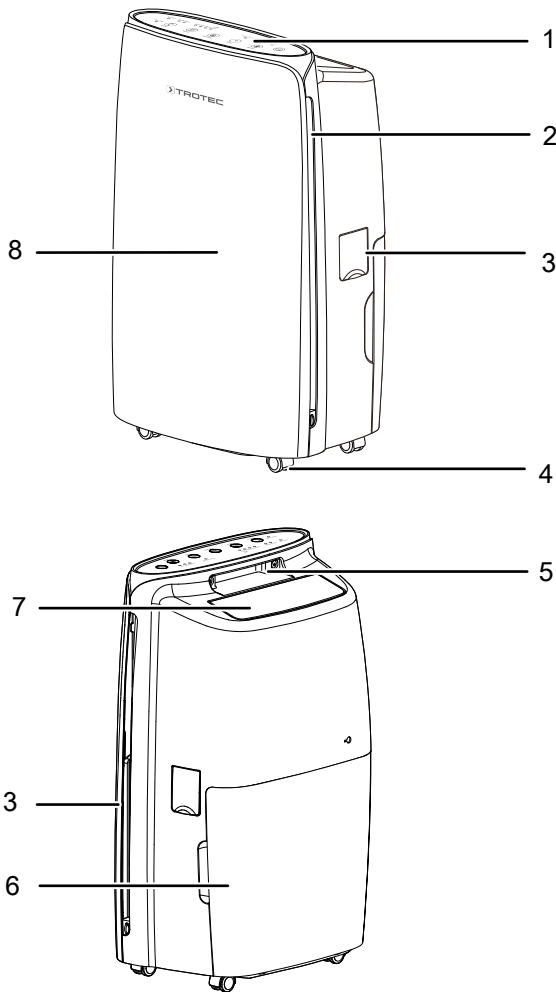
Because of the heat radiation generated during operation, the room temperature may rise slightly.

The devices TTK 67 E, TTK 68 E and TTK 73 E differ in their appearance and design. They are similar in operation.

Device depiction

TTK 67 E / TTK 68 E / TTK 73 E

The device depiction of the TTK 67 E is shown as an example.



No.	Designation
1	Control panel
2	Air inlet
3	Cover of condensation drain hose connection
4	Wheels
5	Transport handle
6	Condensation tank
7	Air outlet
8	Front cover with air filter

Transport and storage

Note

If you store or transport the device improperly, the device may be damaged.

Note the information regarding transport and storage of the device.

Transport

Please note that additional transport regulations might apply to devices containing flammable refrigerants. The equipment's arrangement and the maximum number of components to be transported together can be gathered from the applicable transport regulations.

To make the device easier to transport, it is fitted with a carry handle.

To make the device easier to transport, it is fitted with wheels.

Before transporting the device, observe the following:

- Switch the device off.
- Hold onto the mains plug while pulling the power cable out of the mains socket.
- Drain the remaining condensate from the device and the condensation drain hose (see chapter Maintenance).
- Do not use the power cable to drag the device.
- Only wheel the device on firm and level surfaces.

After transporting the device, proceed as follows:

- Set up the device in an upright position after transport.

Storage

Before storing the device, proceed as follows:

- Drain the remaining condensate from the device and the condensation drain hose (see chapter Maintenance).
- Hold onto the mains plug while pulling the power cable out of the mains socket.

When the device is not being used, observe the following storage conditions:

- Only store the device in a room measuring more than 4 m².
- Only position the device in rooms where there is no source of ignition (e.g. open flames, an active gas appliance or an electric heater).
- Store the device in a dry location and protected from frost and heat.
- Store the appliance in an upright position where it is protected from dust and direct sunlight.
- If required, use a cover to protect the device from invasive dust.
- Place no further devices or objects on top of the device to prevent it from being damaged.

Assembly and start-up

Scope of delivery

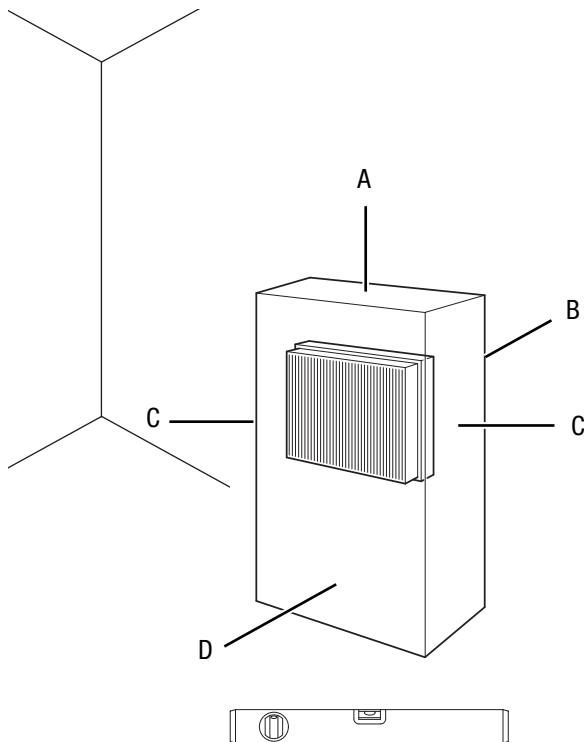
- 1 x Device
- 1 x Air filter
- 1 x Manual

Unpacking the device

1. Open the cardboard box and take the device out.
2. Completely remove the packaging.
3. Fully unwind the power cable. Make sure that the power cable is not damaged and that you do not damage it during unwinding.

Start-up

When positioning the device, observe the minimum distance from walls or other objects as described in the chapter Technical annex.



- Do not create tripping hazards when laying the power cable or other electric cables, especially when positioning the device in the middle of the room. Use cable bridges.
- Make sure that extension cables are completely unrolled.
- When positioning the device, keep a sufficient distance to heat sources.
- Make sure that no curtains or other objects interfere with the air flow.

Inserting the air filter

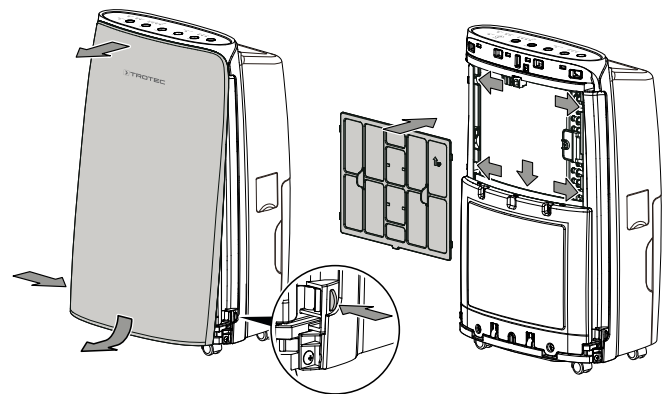
Note

Do not operate the device without an air filter inserted into the air inlet!

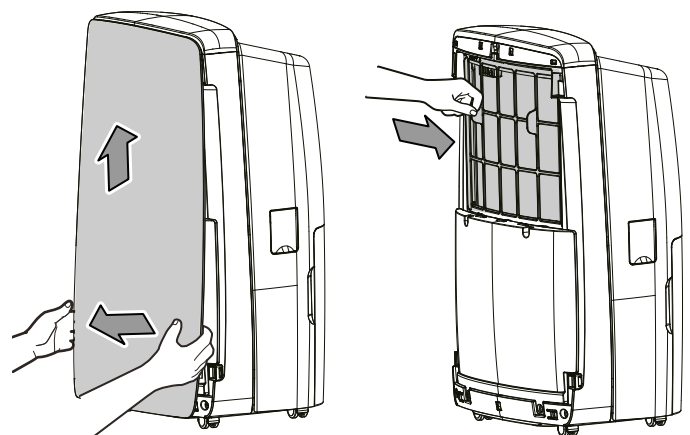
Without the air filter, the inside of the device will be heavily contaminated. This could reduce the performance and result in damage to the device.

- Make sure that the air filter is installed before switching the device on.

TTK 67 E

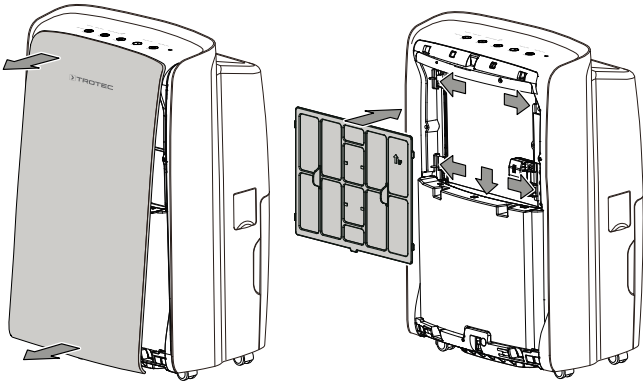


TTK 68 E



- Before restarting the device, check the condition of the power cable. If there are doubts as to the sound condition, contact the customer service.
- Only position the device in rooms where potentially leaking refrigerant cannot accumulate.
- Only position the device in rooms where there is no source of ignition (e.g. open flames, an active gas appliance or an electric heater).
- Only put up the device in an upright, stable position on firm ground.

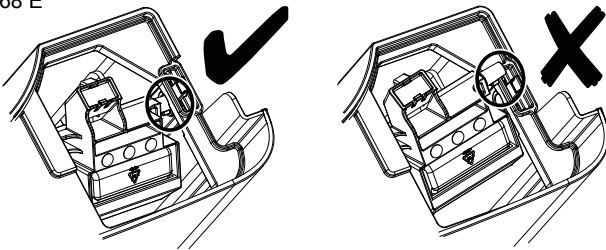
TTK 73 E



Inserting the condensation tank

- Ensure that the float inside the condensation tank is inserted correctly.

TTK 68 E



- Ensure that the condensation tank is empty and inserted correctly.

Operation

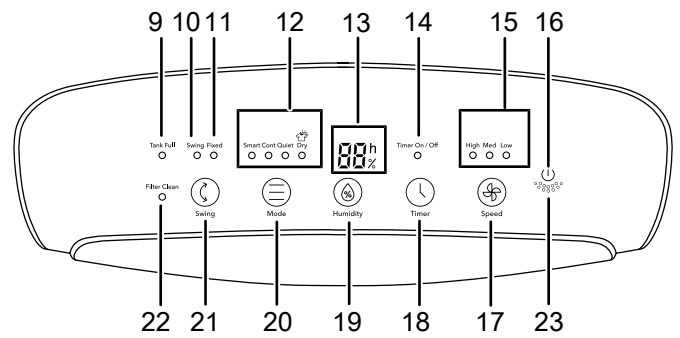
Notes:

- Avoid open doors and windows.
- After being switched on, the device operates fully automatically.
- The compressor stops after the selected setpoint has been reached.
- The fan and the compressor continue to run in dehumidification mode for 3 minutes after the selected setpoint has been reached.

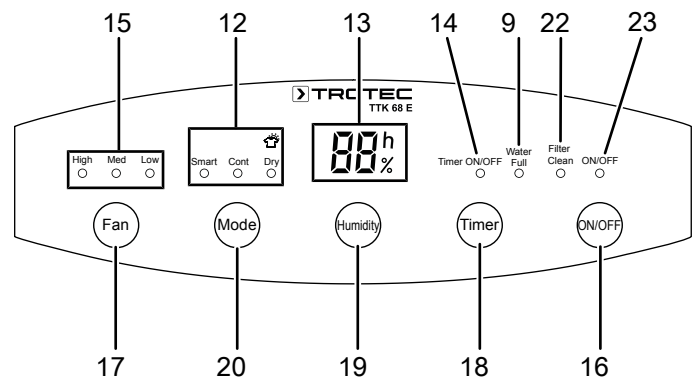
Operating elements

Except for the *On/Off* LED (23), the operating elements of the TTK 67 E and TTK 73 E are identical. The control panel of the TTK 68 E is arranged differently and offers fewer functions than the TTK 67 E and TTK 73 E.

TTK 67 E / TTK 73 E



TTK 68 E



No.	Designation	Meaning
9	<i>Water Full</i> LED	Condensation tank full Condensation tank not installed correctly (TTK 67 E and TTK 73 E only)
10	<i>Swing</i> LED	Illuminated when swing function is activated

No.	Designation	Meaning
11	<i>Fixed</i> LED	Illuminated when the automatic movement of the ventilation flap is switched off
12	<i>Operating mode</i> LEDs	Operating mode indication: <i>Smart</i> = automatic operation <i>Cont</i> = continuous operation <i>Quiet</i> = night mode (TTK 67 E and TTK 73 E only) <i>Dry</i> = dehumidification or laundry drying function
13	Segment display	Indication of the current relative room humidity level Indication of the desired room humidity level Indication of the number of hours during timer programming Indication of a message if child lock is activated
14	<i>Timer ON/OFF</i> LED	Illuminated when the timer is activated
15	<i>Fan speed</i> LEDs	Fan speed indication: <i>High</i> <i>Med(ium)</i> <i>Low</i>
16	<i>ON/OFF</i> button	Switching the device on or off
17	<i>Fan</i> button	Setting the fan speed: <i>High</i> <i>Med(ium)</i> <i>Low</i>
18	<i>Timer</i> button	Switching the timer function on or off
19	<i>Humidity</i> button	Selection button for the desired relative humidity level (30 % to 80 % in increments of 10 %)
20	<i>Mode</i> button	Selection button for operating mode <i>Smart</i> = automatic mode <i>Cont</i> = continuous operation <i>Quiet</i> = night mode (TTK 67 E and TTK 73 E only) <i>Dry</i> = dehumidification/laundry drying function
21	<i>Swing</i> button	Switching the swing function on or off (TTK 67 E and TTK 73 E only)
22	<i>Filter Clean</i> LED	Filter needs to be cleaned
23	<i>ON/OFF</i> LED	Illuminated during operation (TTK 68 E and TTK 73 E only)



Warning of electrical voltage

Risk of electric shock!

The device is not protected against water.

There is a risk of electric shock!

Never use the device in areas where dripping, spraying or running water can enter the device! Never immerse the device in water!

Switching the device on

Once you have completely installed the device as described in the chapter Assembly and start-up, you can switch it on.

1. Press the *ON/OFF* button (16).

⇒ The unit starts to *dehumidify*.

Setting the operating mode

- Automatic operation
- Continuous operation mode
- Night mode (TTK 67 E and TTK 73 E only)
- dehumidification/laundry drying function

Automatic operation

The humidity level is regulated automatically depending on the room temperature. The device detect the temperature automatically. It only switches off automatically when necessary.

1. Press the Mode button (20) until the operating mode LED *Smart* (12) is illuminated.

⇒ Automatic mode is selected.

Continuous operation mode

The device dehumidifies the air constantly and regardless of the relative room humidity. The desired relative room humidity cannot be adjusted in this operating mode. The fan speed can be freely selected.

1. Press the Mode button (20) until the operating mode LED *Cont* (12) is illuminated.

⇒ Continuous operation is selected.



Info

For continuous operation a condensation drain hose can be connected in order to continuously drain the accumulating condensate.

Night mode (TTK 67 E and TTK 73 E only)

In night mode, the device operates at the lowest fan speed. The room humidity is automatically adjusted depending on the room temperature.

1. Press the *Mode* button (20) until the *Quiet* LED (12) for night mode is illuminated.

⇒ Night mode is selected.

Dehumidification/laundry drying function

The device keeps running until the laundry is dry. After that, the device keeps the humidity at a low level to prevent mould growth. In this operating mode, the fan speed and room humidity level cannot be set.

1. Press the *Mode* button (20) until the *Dry* LED (12) for dehumidification mode is illuminated.
 - ⇒ The dehumidification mode/laundry drying function is selected.

Setting the desired relative room humidity

Please proceed as follows to adjust the humidity value:

1. Press and hold the *Humidity* button (19) in order to set the desired value (in increments of 10 % ranging from 30 % to 80 %).
2. Release the *Humidity* button (19) when the desired value is reached.
 - ⇒ The value for desired relative humidity level in the room is indicated on the segment display (13) for approx. 5 s.
 - ⇒ The desired relative room humidity is set.
 - ⇒ Then the currently measured humidity level reappears on the segment display (13).

Setting the fan speed

You can choose between low, medium and high fan speed.

1. Press the *Fan* button (17) to select the desired fan speed.
 - ⇒ The corresponding *fan speed* LED (15) will be illuminated.

Setting the timer

For the device to switch on or off automatically after a predefined number of hours (max. 24 hrs) you can programme the timer.

The timer can be set in all operating modes.

You can activate automatic switch-on when the device is in standby mode.

Note

The device must not be left unattended in a freely accessible room with an activated timer.

Automatic switch-on

- ✓ The device is now in standby mode.
1. Press the *Timer* button (18) to programme automatic switch-on.
 2. Repeatedly press the *Timer* button (18) until the desired number of hours until automatic switch-on is indicated on the segment display (13).
 - ⇒ The number of hours is indicated on the segment display (13) for approx. 5 s.
- ⇒ The timer is now set to the desired number of hours.
 - ⇒ After the predefined time, the device switches itself on.

Automatic switch-off

- ✓ The device is switched on.
1. Press the *Timer* button (18) to programme automatic switch-off.
 2. Repeatedly press the *Timer* button (18) until the desired number of hours until automatic switch-off is indicated on the segment display (13).
 - ⇒ The number of hours is indicated on the segment display (13) for approx. 5 s.
 - ⇒ The timer is now set to the desired number of hours.
 - ⇒ After the predefined time, the device switches itself off.

Notes regarding automatic switch-on and switch-off:

- Manually switching the device on disables the automatic switch-on function.
- If the power supply is interrupted, the timer will be deactivated.
- Pressing the *ON/OFF* button (16) deactivates the automatic switch-on and switch-off function.

Swing function (TTK 67 E and TTK 73 E only)

The swing function can be switched on in any operating mode if required. By means of the swing function, the air outlet (7) is moved automatically and thus ensures continuous air circulation.

1. Press the *Swing* button (21).
 - ⇒ The *Swing* LED (10) is illuminated.
 - ⇒ The ventilation flap moves up and down continuously.
2. Press the *Swing* button (21) again to stop the ventilation flap in a certain position and to switch off the swing function.
 - ⇒ The *Fixed* LED (11) is illuminated.

Child lock

Please proceed as follows to enable child lock:

1. Simultaneously press and hold the buttons *Mode* (20) and *Timer* (18) for approx. 1 s.
 - ⇒ The child lock is activated.
 - ⇒ The message *LC* will be indicated on the segment display when a button is pressed.
2. Again press and hold the buttons *Mode* (20) and *Timer* (18) simultaneously for approx. 1 s to disable the child lock.
 - ⇒ Now all buttons can be actuated as usual.

Auto stop function

If the water tank is full, not inserted correctly or the humidity level in the room is 5 % lower than the set room humidity, the device will stop automatically.

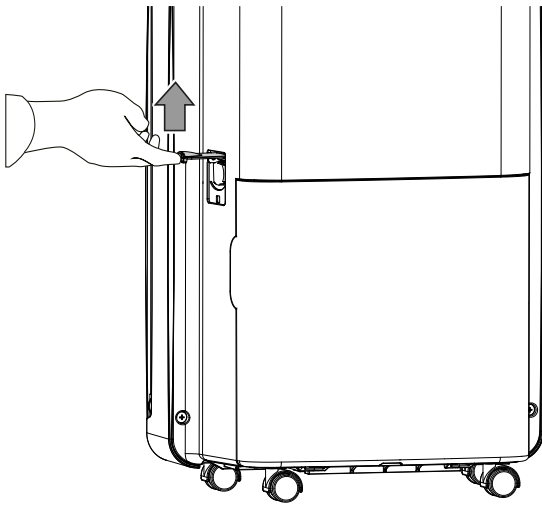
Operation with hose attached to the condensation connection

For continuous operation or unattended dehumidification, please connect a suitable condensation drain hose to the device.

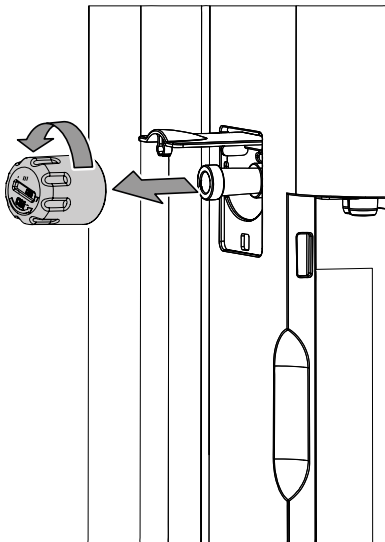
The action of connecting the condensation drain hose is explained by means of the device TTK 68 E, which serves as an example.

- ✓ A suitable hose ($\varnothing = 14$ mm) is ready for use.
- ✓ A suitable hose adapter is ready for use.
- ✓ The device is switched off.

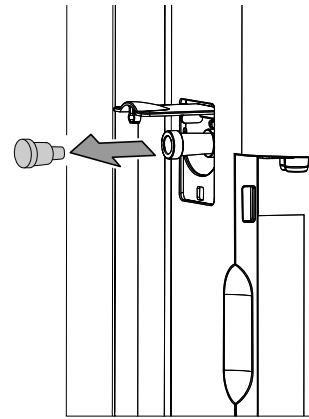
1. Open the cover (3) of the condensation drain hose connection.



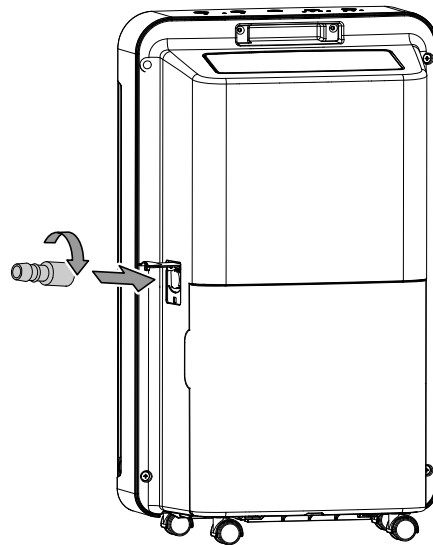
2. Unscrew the sealing cap by turning it counter-clockwise.



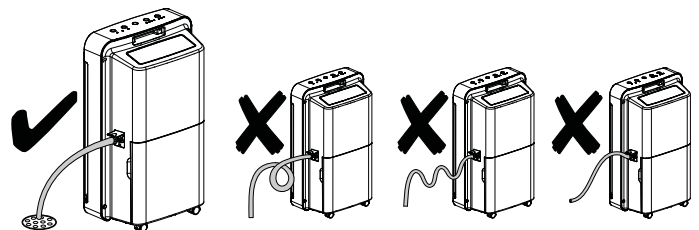
3. Remove the plug.



4. Screw the hose adapter onto the connection in a clockwise motion.



5. Push one end of the hose onto the hose adapter.
6. Guide the other hose end to a suitable drain or sufficiently dimensioned collection container. Please note that the hose must not be kinked.



Automatic defrost

At low ambient temperatures, ice may form at the evaporator during dehumidification. The device will then carry out an automatic defrost.

Dehumidification is briefly interrupted during defrosting. The fan keeps running.

The duration of the defrost process can vary. Do **not** switch off the device during automatic defrost. Do **not** remove the mains plug from the mains socket.

Laundry drying mode

In addition, the device may also be used as a kind of clothes dryer to dry wet laundry in living or working spaces.

When positioning the device or a clothes horse, please observe the minimum distances specified in the technical data.

The following humidity values are suitable for drying laundry:

- cupboard dry = 46 % relative humidity
- iron dry = 58 % relative humidity
- slightly dried = 65 % relative humidity

If the *Dry* LED (12) is illuminated, the device automatically switches to laundry drying mode. After drying the laundry, the room humidity level is maintained.

When the laundry drying function is activated, the fan speed and room humidity level cannot be set manually.

Adjust the settings for the relative humidity level to the device (e.g. 60 % relative humidity for iron dry laundry). If necessary, use a measuring device to determine the humidity level.

Please proceed as follows to adjust the laundry drying function manually:

1. Repeatedly press the *Mode* button (20) until the operating mode LED *Dry* (12) is illuminated.
⇒ The function for drying laundry is activated.

Shutdown



Warning of electrical voltage

Do not touch the mains plug with wet or damp hands.

- Switch off the device.
- Hold onto the mains plug while pulling the power cable out of the mains socket.
- If necessary, remove the condensation drain hose and any residual fluid from it.
- Empty the condensation tank, if need be.
- Clean the device according to the Maintenance chapter.
- Store the device according to the Transport and storage chapter.

Errors and faults

The device has been checked for proper functioning several times during production. If malfunctions occur nonetheless, check the device according to the following list.

Note

Wait for at least 3 minutes after maintenance and repair work. Only then switch the device back on.

The device does not start:

- Check the power connection.
- Check the power cable and mains plug for damage.
- Check the on-site fusing.
- Check the condensation tank for correct seating.
- Check the filling level of the condensation tank, and empty it if necessary. The Water Full LED (9) must not light up.
- Check the room temperature. Observe the device's permissible operating range according to the technical data.

The device is running, but there is no formation of condensate:

- Check the float in the condensation tank for dirt. If necessary, clean the condensation tank. The float must be able to move freely.
- Check the room temperature. Observe the device's permissible operating range according to the technical data.
- Ensure that the relative room humidity complies with the technical data.
- Check the preselected desired room humidity level. The relative humidity in the room must be above the selected range. If necessary, reduce the preselected desired room humidity.
- Check the air filter for dirt. If necessary, clean or replace the air filter.
- From the outside, check the condenser for dirt (see chapter Maintenance). If the condenser is dirty, have it cleaned by a specialist company or by Trotec.
- The device might carry out an automatic defrost. During automatic defrost, the device does not dehumidify.

The device is loud or vibrates:

- Check whether the device is set up in a stable and upright position.

Condensate is leaking:

- Check the device for leaks.

The compressor does not start:

- Check the room temperature. Observe the device's permissible operating range according to the technical data.
- Ensure that the relative room humidity complies with the technical data.
- Check the preselected desired room humidity level. The relative humidity in the room must be above the selected range. If necessary, reduce the preselected desired room humidity.
- Check whether the overheating protection of the compressor has tripped. Disconnect the device from the mains and let it cool down for approx. 10 minutes before reconnecting it.
- The device might carry out an automatic defrost. During automatic defrost, the device does not dehumidify.

The device gets very warm, is loud or is losing performance:

- Check the air inlets and air filters for dirt. Remove external dirt.
- From the outside, check the device for dirt (see chapter Maintenance). If the inside of the device is dirty, have it cleaned by a specialist company for cooling and air-conditioning or by Trotec.

The device still does not operate correctly after these checks:

Please contact the customer service. If necessary, bring the device to a specialist company for cooling and air-conditioning or to Trotec for repair.

Maintenance

Maintenance intervals

Maintenance and care interval	before every start-up	as needed	at least every 2 weeks	at least every 4 weeks	at least every 6 months	at least annually
Check air inlet and outlet for dirt and foreign objects and clean if necessary	X			X		
Clean the exterior		X				X
Visually check the inside of the device for dirt		X				X
Check the air filter for dirt and foreign objects and clean or replace if necessary	X		X			
Replace the air filter					X	
Check for damage	X					
Check the attachment screws		X				X
Test run						X
Empty and clean the condensation tank and/or drain hose		X				

Maintenance and care log

Device type:

Device number:

Maintenance and care interval	1	2	3	4	5	6	7	8	9	10	11	12	13	14	15	16
Check air inlets and outlets for dirt and foreign objects and clean if necessary																
Check the air filter for dirt and foreign objects and clean or replace if necessary																
Clean the exterior																
Visually check the inside of the device for dirt																
Replace the air filter																
Check the attachment screws																
Test run																
Empty and clean the condensation tank and/or drain hose																
Comments																

1. Date: Signature:	2. Date: Signature:	3. Date: Signature:	4. Date: Signature:
5. Date: Signature:	6. Date: Signature:	7. Date: Signature:	8. Date: Signature:
9. Date: Signature:	10. Date: Signature:	11. Date: Signature:	12. Date: Signature:
13. Date: Signature:	14. Date: Signature:	15. Date: Signature:	16. Date: Signature:

Activities required before starting maintenance



Warning of electrical voltage

Do not touch the mains plug with wet or damp hands.

- Switch the device off.
- Hold onto the mains plug while pulling the power cable out of the mains socket.



Warning of electrical voltage

Tasks which require the device to be opened must only be carried out by authorised specialist companies or by Trotec.

Refrigerant circuit



Danger

Natural refrigerant propane (R290)!

H220 – Extremely flammable gas.

H280 – Contains gas under pressure; may explode if heated.

P210 – Keep away from heat, sparks, open flames and other ignition sources. No smoking.

P377 – Leaking gas fire: Do not extinguish, unless leak can be stopped safely.

P410+P403 – Protect from sunlight. Store in a well-ventilated place.

- The entire refrigerant circuit is a maintenance-free, hermetically sealed system and may only be maintained or repaired by specialist companies for cooling and air-conditioning or by Trotec.

Safety signs and labels on the device

Check the safety signs and labels attached to the device at regular intervals. Replace illegible safety signs!

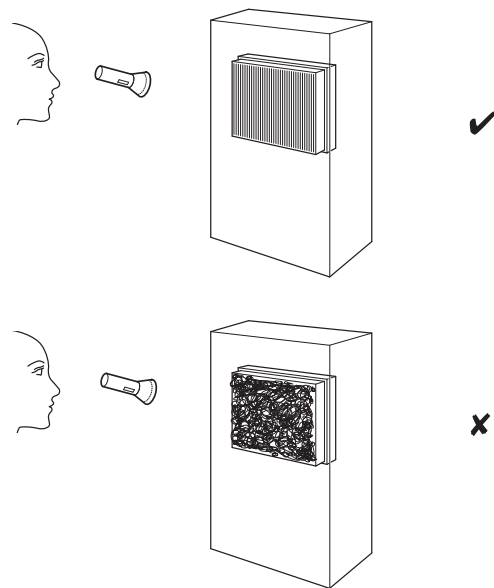
Cleaning the housing

Clean the housing with a soft, damp and lint-free cloth. Make sure that no moisture enters the housing. Protect electrical components from moisture. Do not use any aggressive cleaning agents such as cleaning sprays, solvents, alcohol-based or abrasive cleaners to dampen the cloth.

Visual inspection of the inside of the device for dirt

1. Remove the air filter.
2. Use a torch to illuminate the openings of the device.
3. Check the inside of the device for dirt.
4. If you see a thick layer of dust, have the inside of the device cleaned by a specialist company for cooling and air-conditioning or by Trotec.

5. Put the air filter back in.



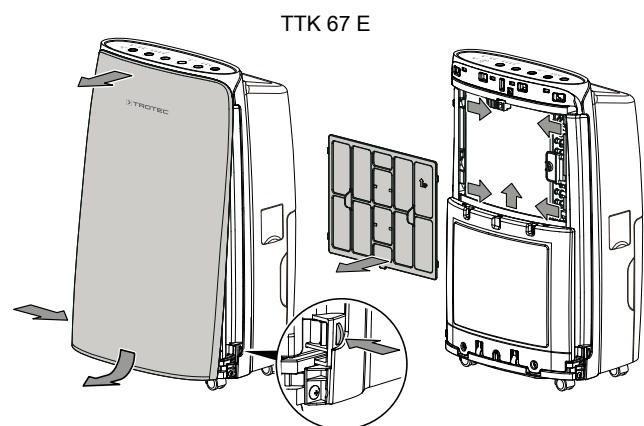
Cleaning the air filter

Note

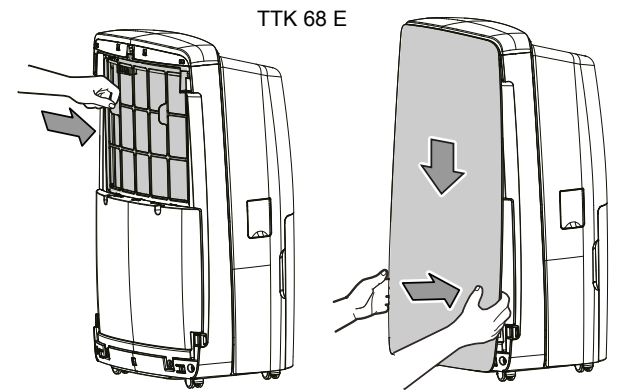
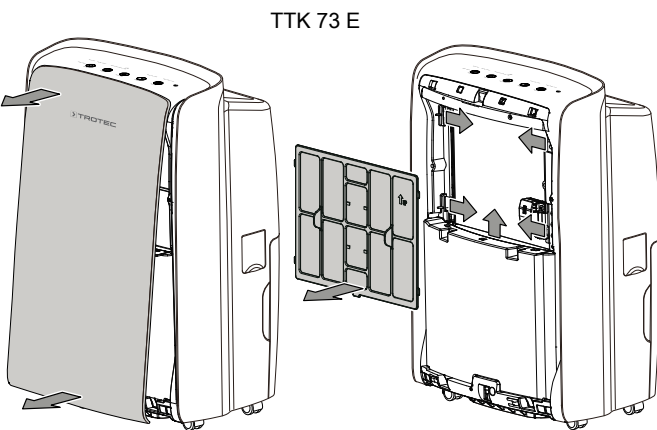
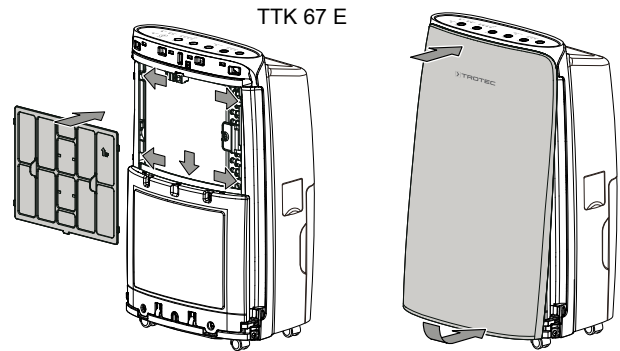
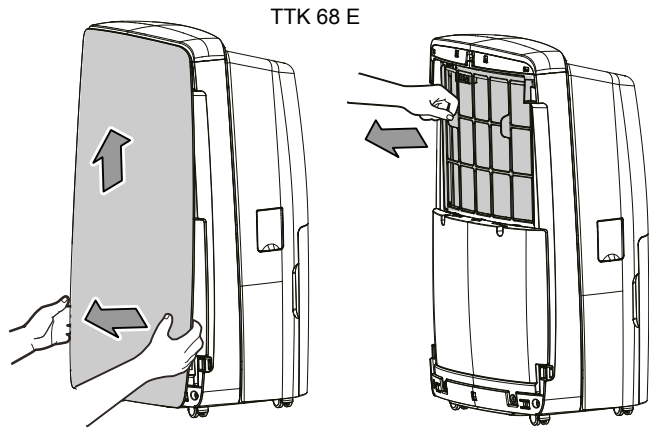
Ensure that the air filters are neither worn nor damaged. The corners and edges of the air filters must not be deformed or rounded. Before reinserting the air filters, make sure that they are undamaged and dry!

The air filter must be cleaned when dirt is visible or the *Filter Clean* indication (22) is illuminated. This is brought to light e.g. by a reduced capacity (see chapter Errors and faults).

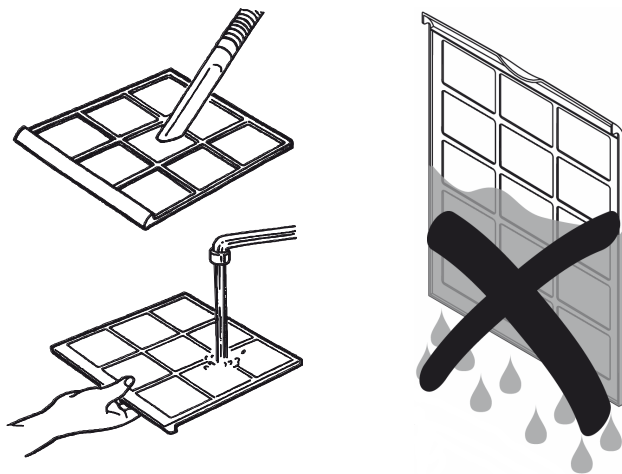
- ✓ The device is switched off and disconnected from the mains.
1. Remove the front cover as shown below. On the TTK 67 E, also press the side buttons at the bottom to release the front cover.
 2. Remove the filter.



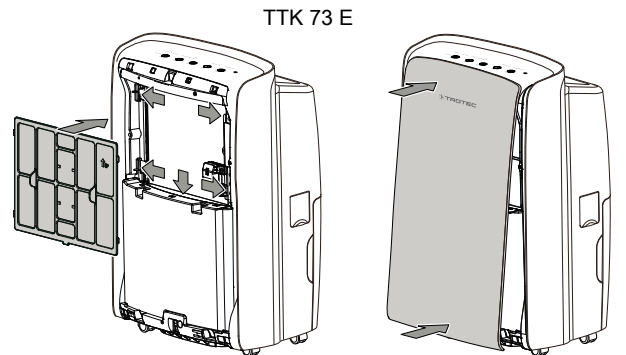
6. Reattach the front cover.



3. Clean the filter using a slightly damp, soft, lint-free cloth. If the filter is heavily contaminated, clean it with warm water mixed with a neutral cleaning agent.



4. Allow the filter to dry completely. Do not insert a wet filter into the device.
 5. Reinsert the filter and push the air filter down until it clicks into place.



7. To carry out a filter reset, press the buttons *Fan* (17) and *Humidity* (19) at the same time.
 ⇒ The *Filter Clean* indication (22) disappears.

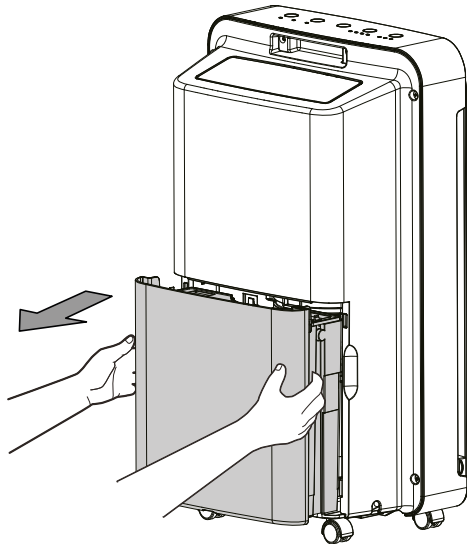
Emptying the condensation tank

Once the condensation tank is full, the device stops dehumidification operation and switches itself off. The *Water Full* LED (9) is illuminated.

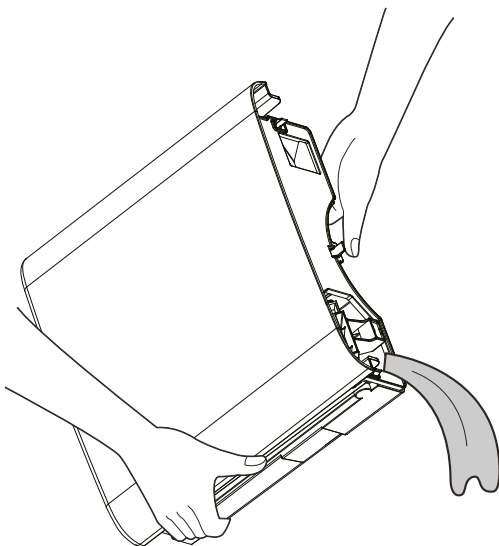
On the TTK 67 E and TTK 73 E, the *Water Full* LED (9) also lights up if the condensate tank is not inserted correctly.

The action of emptying the condensation tank is explained by means of the device TTK 68 E, which serves as an example.

1. Take the condensation tank out of the device.

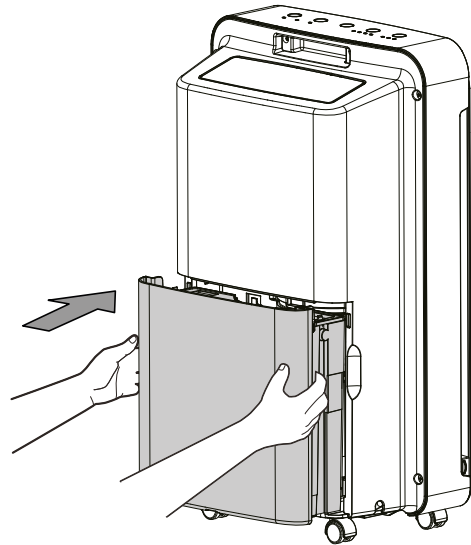


2. Empty the condensation tank over a drain or sink.



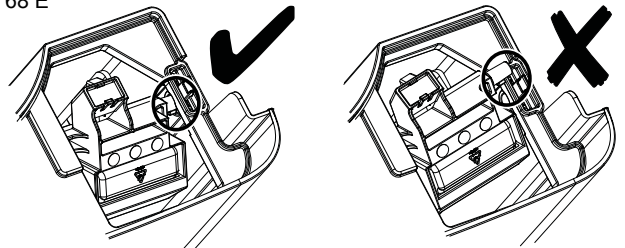
3. Rinse the tank with clear water. Clean the tank regularly using a mild cleaning agent (no detergent!).

4. Refit the condensation tank into the device. Make sure not to damage the float when inserting or removing the condensation tank.



- ⇒ In doing so, make sure that the float is positioned correctly.

TTK 68 E



- ⇒ In doing so, make sure that the condensation tank is inserted correctly, for otherwise the device cannot be switched back on.

Activities required after maintenance

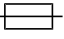
If you want to continue using the device:

- Reconnect the device to the mains.

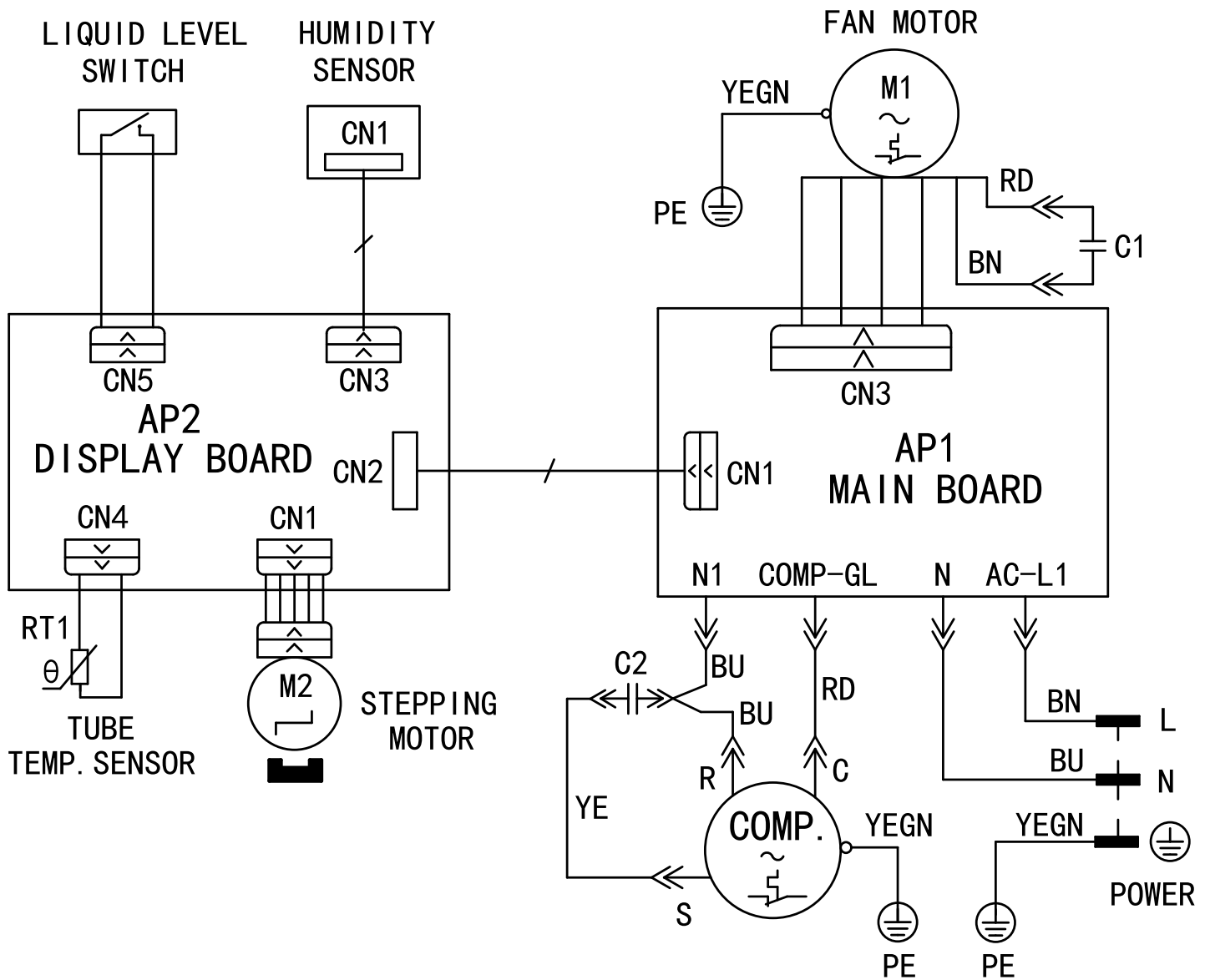
If you do not intend to use the device for a considerable time:

- Store the device according to the Transport and storage chapter.

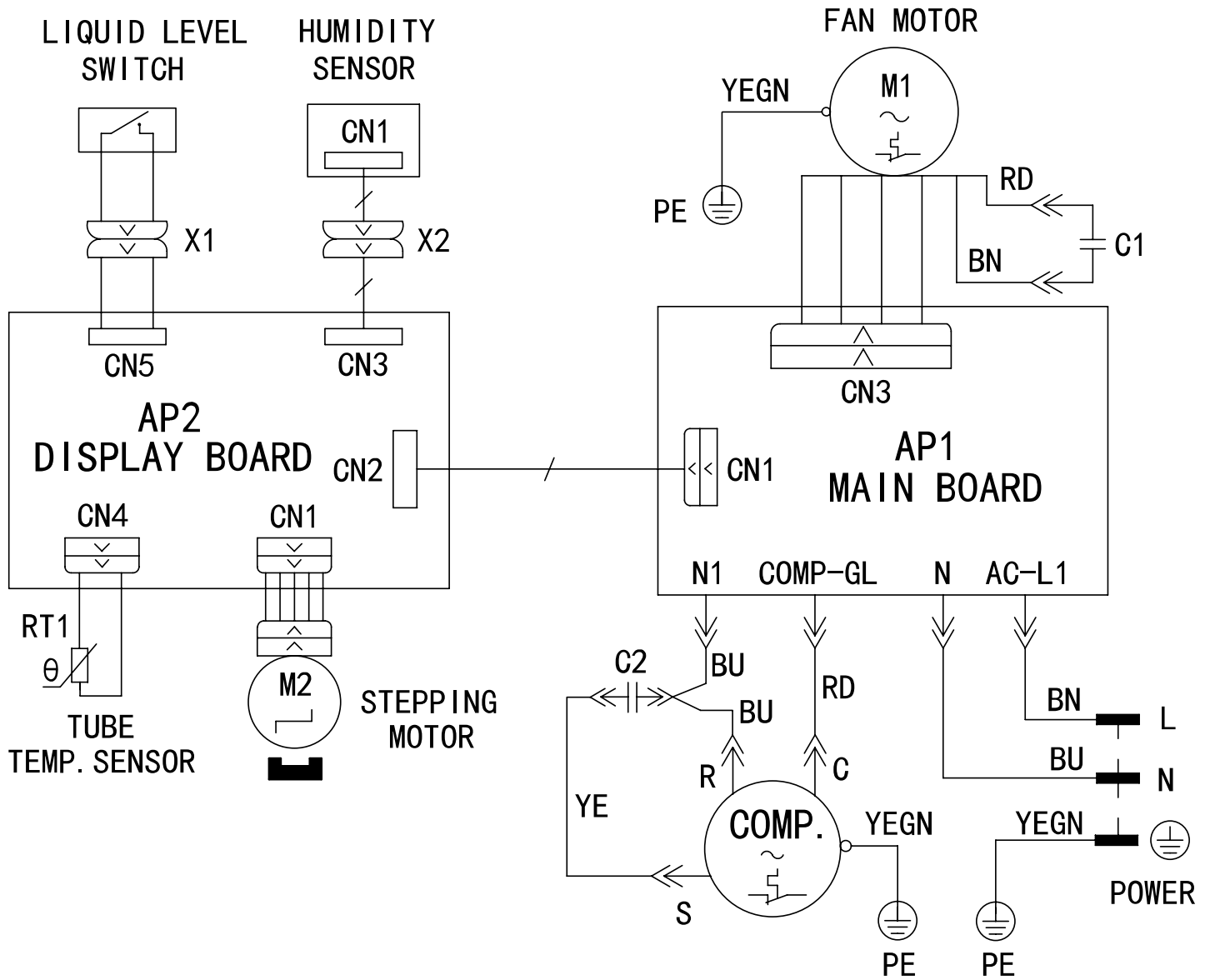
Technical annex
Technical data

Parameter	Value		
Model	TTK 67 E	TTK 68 E	TTK 73 E
Max. dehumidification performance	24 l / 24 h	20 l / 24 h	24 l / 24 h
Air flow rate	Stage 1 (<i>Low</i>): 105 m ³ /h Stage 2 (<i>Med</i>): 115 m ³ /h Stage 3 (<i>High</i>): 130 m ³ /h	105 m ³ /h 115 m ³ /h 130 m ³ /h	105 m ³ /h 115 m ³ /h 130 m ³ /h
Operating range (temperature)	5 °C to 32 °C	5 °C to 32 °C	5 °C to 32 °C
Operating range (relative humidity)	30 % to 90 % RH	30 % to 80 % RH	30 % to 90 % RH
Pressure suction side	1.5 MPa	1.5 MPa	1.5 MPa
Discharge side pressure	3.0 MPa	3.0 MPa	3.0 MPa
Max. permissible pressure	3.0 MPa	3.0 MPa	3.0 MPa
Mains supply	220–240 V / 50 Hz	220 – 240 V / 50 Hz	220 – 240 V / 50 Hz
Type of protection	IPX0	IPX0	IPX0
Fusing 	3.15 A / 250 V AC	3.15 A / 250 V AC	3.15 A / 250 V AC
Max. power consumption	450 W	450 W	450 W
Nominal current	2 A	1.9 A	2 A
Refrigerant	R-290	R-290	R-290
Amount of refrigerant	110 g	110 g	110 g
GWP factor	3	3	3
CO ₂ equivalent	0.00033 t	0.00033 t	0.00033 t
Water tank	3.5 l	4 l	3.5 l
Sound pressure level	43 dB(A)	43 dB(A)	43 dB(A)
Dimensions (length x width x height)	210 x 325 x 580 mm	246 x 367 x 582 mm	220 x 365 x 590 mm
Minimum distance to walls and other objects	A: top: 50 cm B: rear: 20 cm C: side: 20 cm D: bottom: 20 cm	50 cm 20 cm 20 cm 20 cm	50 cm 20 cm 20 cm 20 cm
Weight	15.5 kg	15 kg	15.5 kg

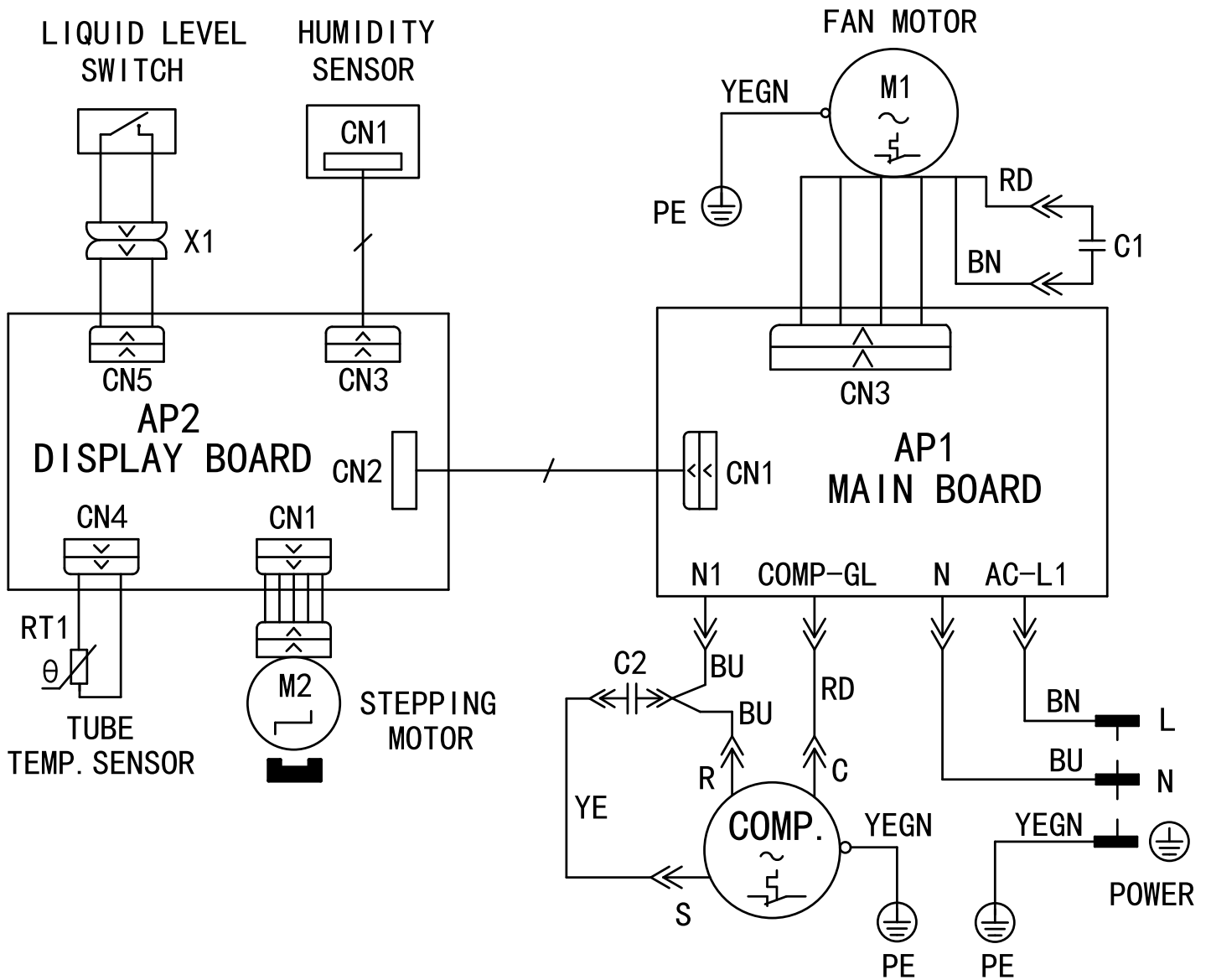
Circuit diagram TTK 67 E



Circuit diagram TTK 68 E

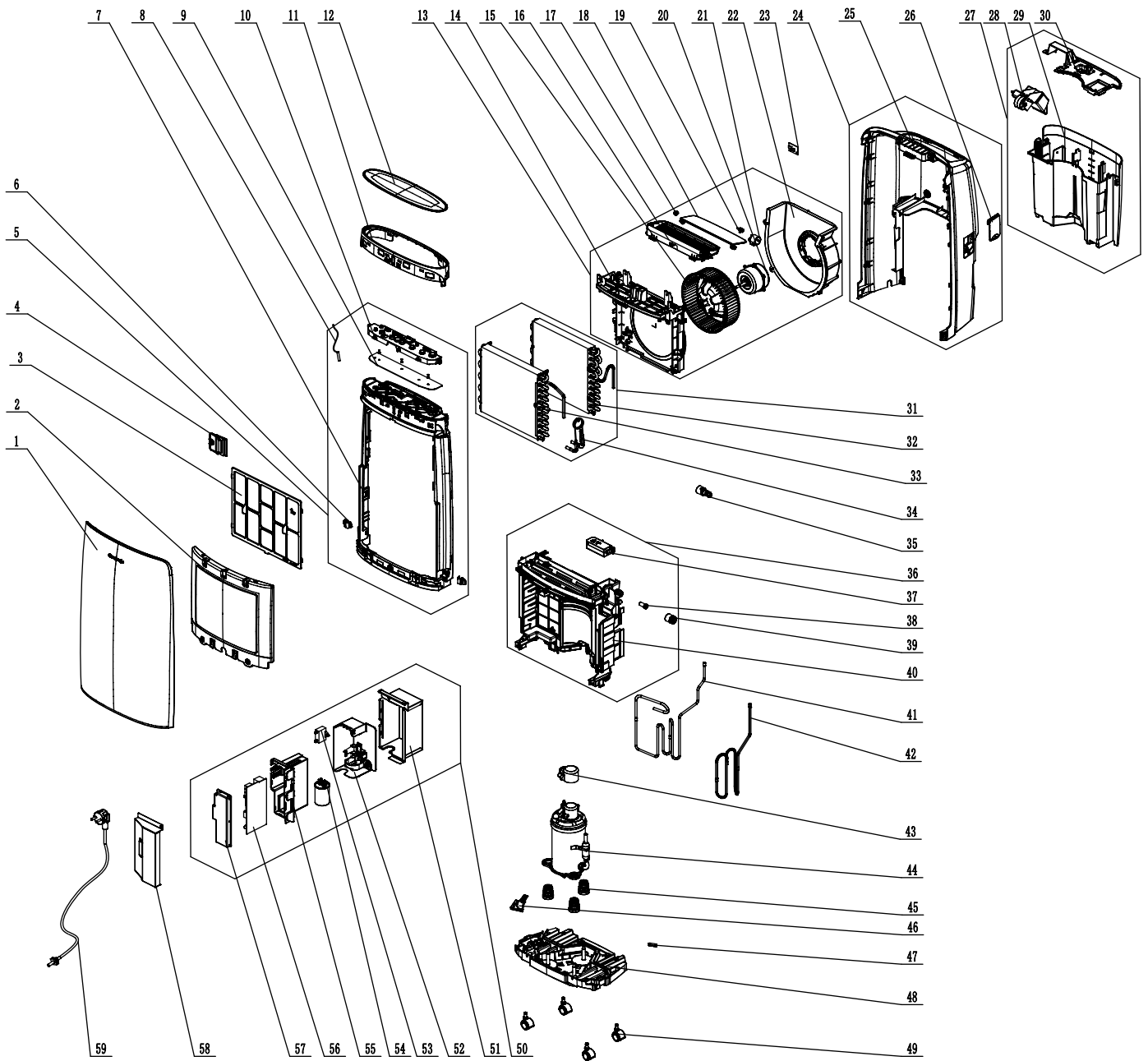


Circuit diagram TTK 73 E



Overview of spare parts TTK 67 E

Note: The position numbers of the spare parts differ from those describing the positions of the components mentioned in these instructions.

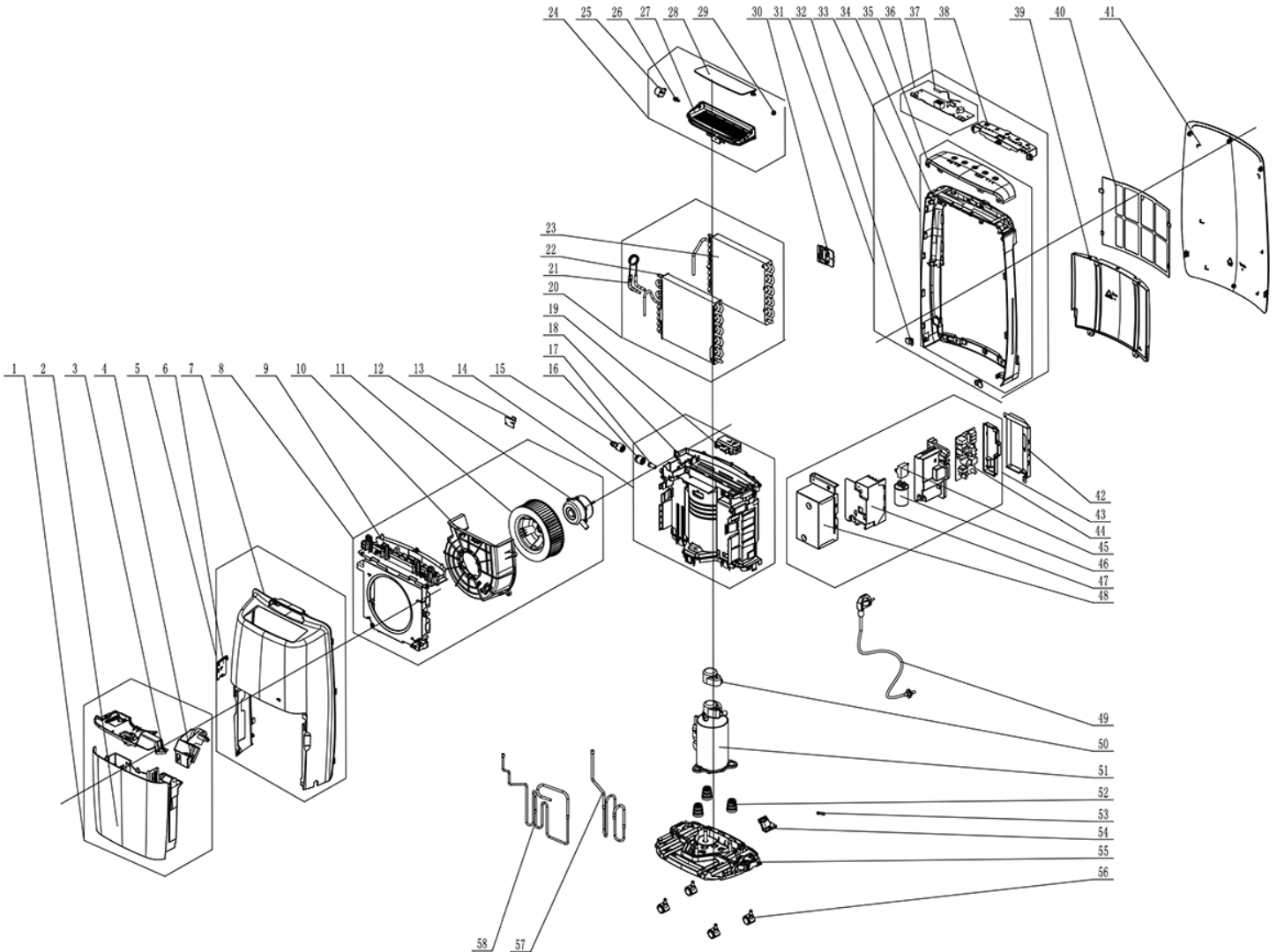


Spare parts list

No.	Spare Part	No.	Spare Part
1	Shield Sub-assy	31	Heat-exchange Equipment
2	Lower sealing plate	32	Condenser Sub-Assy
3	Filter Sub-Assy	33	Evaporator Sub-Assy
4	Baffle Plate	34	Capillary Sub-assy
5	Supporting Strip Sub-assy	35	Adaptor sub-assy
6	Front Panel Clip	36	Water Tray Assy
7	Supporting Strip	37	Liquid Level Switch Sub-assy
8	Temperature Sensor	38	Rubber Plug
9	Display Board	39	Cover of drainage hole
10	Display Box	40	Water Tray
11	Decorative Circle	41	Discharge Tube Sub-assy
13	Air Flue Assy	42	Inhalation Tube Sub-assy
14	Diverson Circle	43	Covering Plate
15	Centrifugal Fan	44	Compressor and Fittings
16	Front Grill	45	Compressor Gasket
17	Air Guide Bushing	46	Baffle Plate
18	Guide Louver	47	Cable Clamp
19	Crank	48	Chassis Sub-assy
20	Fan Motor	49	Castor
21	Stepping Motor	50	Electric Box Assy
22	Propeller Housing	51	Electric Box
23	Detecting Plate	52	Insatallation Box
24	Rear Cover Assy	53	Capacitor
25	Rear Case	54	Capacitor CBB65
26	Cover of drainage hole	55	Electric Controller Box
27	Water Tank Assy	56	Main Board
28	Float meter sub-assy	57	Seal Cover
29	Water Tank	58	Electric Box Cover
30	Water Tank Cover	59	Power Cord

Overview of spare parts TTK 68 E

Note: The position numbers of the spare parts differ from those describing the positions of the components mentioned in these instructions.

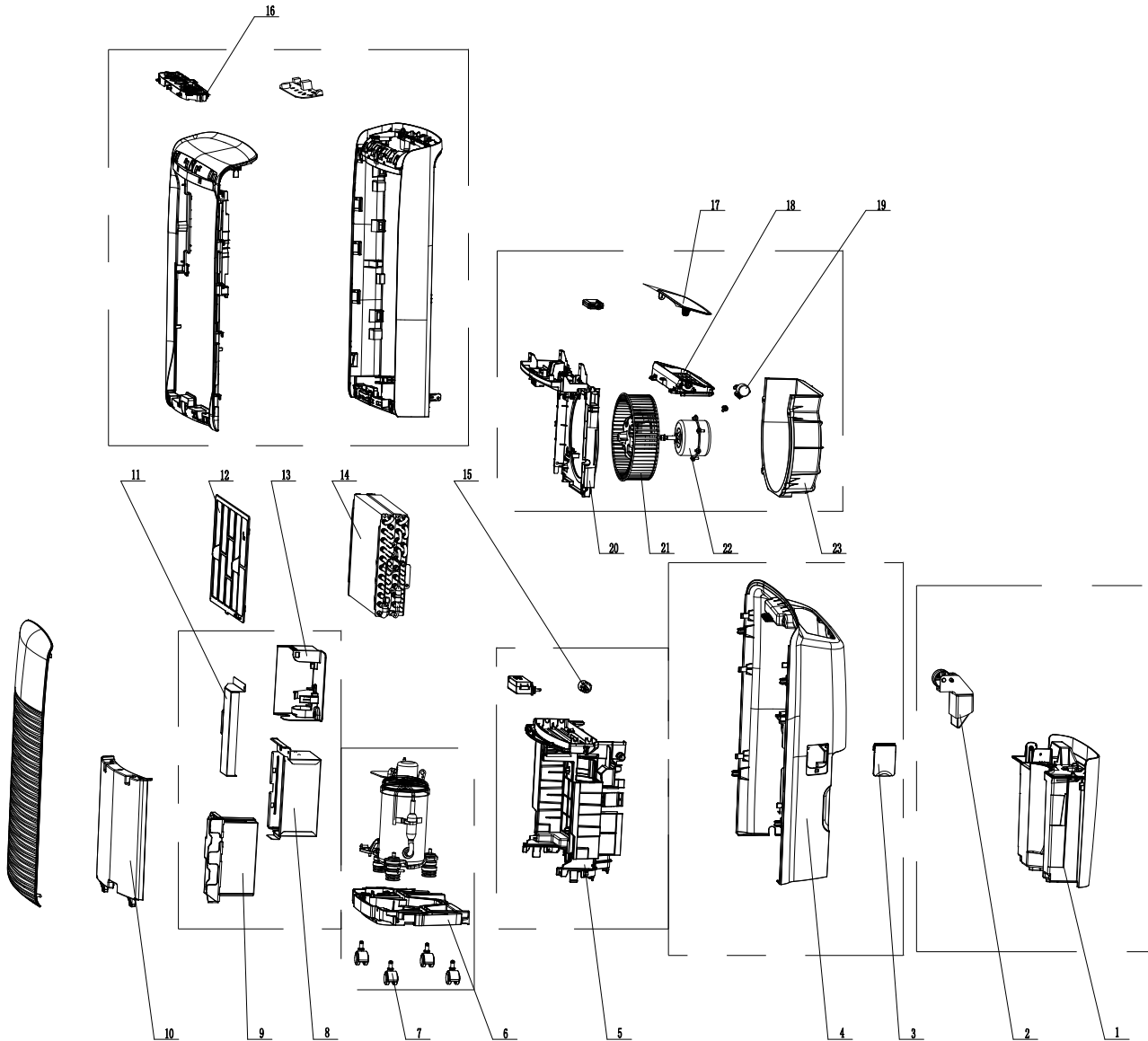


Spare parts list

No.	Spare Part	No.	Spare Part
1	Water Tank Assy	30	Baffle Plate
2	Water Tank	31	Front Case Assy
3	Water Tank Cover	32	Front Panel Clip
4	Float Meter Sub-Assy	33	Front Case Sub-Assy
5	Rear Cover Assy	34	Front Case
6	Cover Of Drainage Hole	35	Top Cover
7	Rear Case	36	Display Board
8	Air Flue Assy	37	Temperature Sensor
9	Cover Plate	38	Display Box
10	Propeller Housing	39	Lower Sealing Plate
11	Centrifugal Fan	40	Filter Sub-Assy
12	Fan Motor	41	Front Panel
13	Detecting Plate	42	Electric Box Cover
14	Water Tray Assy	43	Electric Box Assy
15	Adaptor Sub-Assy	44	Main Board
16	Cover Of Drainage Hole	45	Capacitor
17	Rubber Plug	46	Capacitor CBB65
18	Water Tray	47	Installation Box
19	Liquid Level Switch Sub-Assy	48	Electric Box Sub-Assy
20	Heat-Exchange Equipment	49	Power Cord
21	Capillary Sub-Assy	50	Covering Plate
22	Condenser Sub-Assy	51	Compressor And Fittings
23	Evaporator Sub-Assy	52	Compressor Gasket
24	Front Grill Assy	53	Cable Clamp
25	Stepping Motor	54	Baffle Plate
26	Crank	55	Chassis Sub-Assy
27	Front Grill	56	Castor
28	Guide Louver	57	Inhalation Tube Sub-Assy
29	Air Guide Bushing	58	Discharge Tube Sub-Assy

Overview of spare parts TTK 73 E

Note: The position numbers of the spare parts differ from those describing the positions of the components mentioned in these instructions.



Spare parts list

No.	Spare Part	No.	Spare Part
1	Water Tank	13	Insatallation Box
2	Float meter sub-assy	14	Heat-exchange Equipment
3	Cover of drainage hole	15	Cover of drainage hole
4	Rear Case	16	Display Box
5	Water Tray	17	Guide Louver
6	Chassis Sub-assy	18	Front Grill
7	Castor	19	Stepping Motor
8	Electric Box Sub-Assy	20	Diversion Circle
9	Electric Controller Box Sub-Assy	21	Centrifugal Fan
10	Lower sealing plate	22	Fan Motor
11	Electric Box Cover	23	Propeller Housing
12	Filter Sub-Assy		

Disposal

Always dispose of packing materials in an environmentally friendly manner and in accordance with the applicable local disposal regulations.



The icon with the crossed-out waste bin on waste electrical or electronic equipment is taken from Directive 2012/19/EU. It states that this device must not be disposed of with the household waste at the end of its life. You will find collection points for free return of waste electrical and electronic equipment in your vicinity. The addresses can be obtained from your municipality or local administration. You can also find out about other return options that apply for many EU countries on the website <https://hub.trotec.com/?id=45090>. Otherwise, please contact an official recycling centre for electronic and electrical equipment authorised for your country.

The separate collection of waste electrical and electronic equipment aims to enable the re-use, recycling and other forms of recovery of waste equipment as well as to prevent negative effects for the environment and human health caused by the disposal of hazardous substances potentially contained in the equipment.

Have the refrigerant (propane) disposed of appropriately and according to the national regulations by a company with the relevant certification (European Waste Catalogue 160504).

Only for United Kingdom

According to Waste Electrical and Electronic Equipment Regulations 2013 (SI 2013/3113) (as amended) devices that are no longer usable must be collected separately and disposed of in an environmentally friendly manner.

Trotec GmbH

Grebener Str. 7
D-52525 Heinsberg

☎ +49 2452 962-400

☎ +49 2452 962-200

✉ info@trotec.com

www.trotec.com