

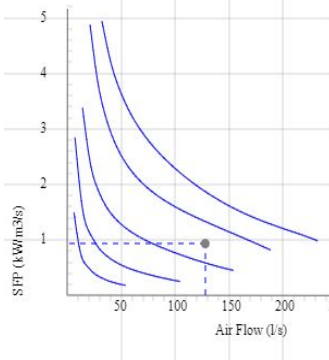
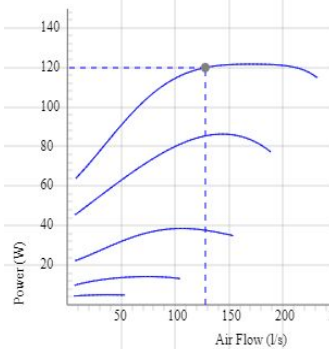
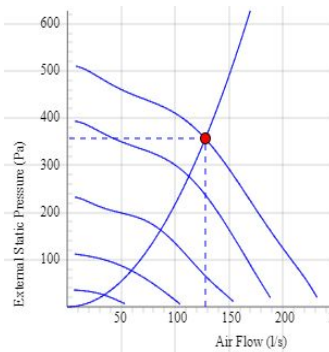


# LPKB 200 A1 EC

- Low profile duct fan with circular connections.
- A small and useful duct fan which are perfect for spaces with minimum height clearance.
- With one connection on the inlet side.
- High capacity and efficiency with low sound levels.
- Impeller with backward curved blades.
- The external rotor motor has maintenance-free sealed ball-bearings and is very energy efficient.
- Speed controlling can be done with the built-in potentiometer, 0-10 V alt. external control.
- Integrated motor protection.
- Junction box has enclosure class IP 54.
- Fan housing is manufactured from galvanized sheet steel.
- Duct connections are equipped with rubber seals.
- The fan is intended to be installed in a duct system.
- A duct connected fan can be installed outside or in damp environments.
- The mounting brackets simplify installation in any position.

## Accessories

- Speed controller MS EC
- Controller IQ-Reg EC
- Pressure regulator CALAIR-PR-230V
- Pressure regulator FKP-R
- MK 200
- BSV 200
- RSK 200
- YG 200
- VK 200
- FLK 200
- FLF 200
- LDC 200



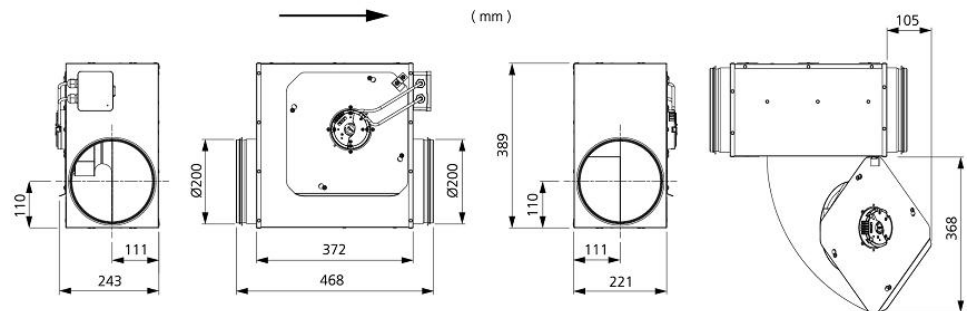
## TECHNICAL DATA

7540730 LPKB 200 A1 EC-y1	
Voltage	230 V
Phase	1 ~
Frequency	50/60 Hz
Power	122 W
Current	0.99 A
Speed	2900 r.p.m.
Max. temperature of transported air	60 °C
Sound pressure level at 3 m	51 dB(A)
Weight	7.4 kg
Enclosure class	44 IP
Insulation class, motor	F
Duct connection	200 mm
Max. flow @ 0Pa	237 l/s
Max. pressure	511 Pa
Voltage range	200-277 V

## SOUND DATA

	Flow (l/s)	L <sub>wa</sub> tot dB (A)	63Hz	125Hz	250Hz	500Hz	1KHz	2KHz	4KHz	8KHz
5. Surrounding Lw dB(A) 10V	147	58	29	41	51	56	48	46	40	31
5. Outlet Lw dB(A) 10V	147	80	62	66	70	77	70	71	67	57
5. Inlet Lw dB(A) 10V	147	76	58	66	69	73	66	63	63	53
4. Inlet Lw dB(A) 8V	125	73	55	62	65	70	63	60	59	48
3. Inlet Lw dB(A) 6V	95	67	49	58	59	64	56	52	50	38
2. Inlet Lw dB(A) 4V	65	58	41	52	52	54	46	41	37	23
1. Inlet Lw dB(A) 2V	37	43	33	38	35	38	26	19	11	4

## DIMENSIONS



## Voltage steps

1	2	3	4	5
2V	4V	6V	8V	10V