

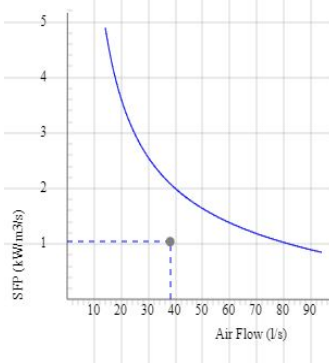
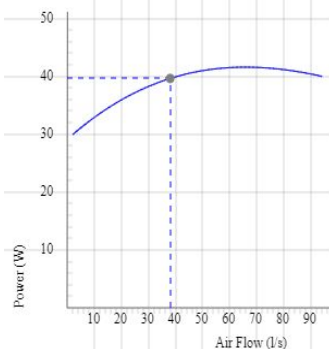
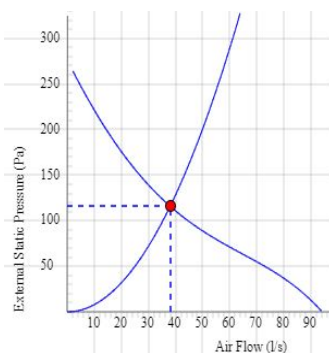


TKV 300 A1

- Roof fan with square connection.
- Vertical outlet.
- High performance and proven reliability.
- Operational in both 50 and 60 Hz.
- Impeller with backward curved blades.
- The external rotor motor has maintenance-free sealed ball-bearings.
- Integrated motor protection.
- Junction box has enclosure class IP 54.
- For speed control a transformer or electronic speed controller can be connected.
- Fan housing is manufactured from galvanized sheet steel which is polyester plastic coated in black as standard.
- Swing-up design to simplify maintenance and cleaning of the impeller.
- The easiest way to mount the roof fan is with a roof curb TFU.
- The fan complies with environmental requirement M2.
- To comply with the ErP 2018 regulation, a local demand controller must be used.

Accessories

- VRTE C
- VRDE 1,5
- VRS 0.5
- Local Demand Controller Kit
- TFU 300
- Connection plate TFU 300
- Back draught shutter TFU 300



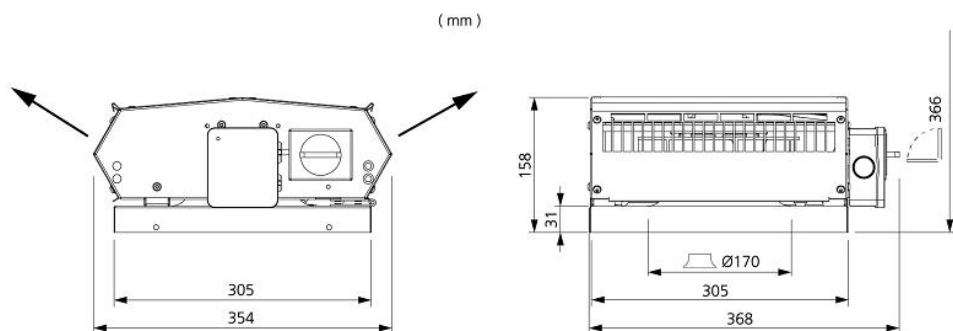
TECHNICAL DATA

	7340023 TKV 300 A1 Black	7340031 TKV 300 A1 Brick red
Voltage	230 V	230 V
Phase	1 ~	1 ~
Frequency	50 Hz	50 Hz
Optional frequency	60 Hz	60 Hz
Power	42 W	42 W
Current	0.19 A	0.19 A
Speed	1730 r.p.m.	1730 r.p.m.
Max. temperature of transported air	60 °C	60 °C
Max. temperature of transported air when speed controlled	60 °C	60 °C
Sound pressure level at 3 m	49 dB(A)	49 dB(A)
Weight	5.1 kg	5.1 kg
Enclosure class	44 IP	44 IP
Insulation class, motor	F	F
Capacitor	2 µF	2 µF
Max. flow @ 0Pa	94 l/s	94 l/s
Max. pressure	275 Pa	275 Pa
Voltage range	220-240 V	220-240 V

SOUND DATA

	Flow (l/s)	L _{wa} tot dB (A)	63Hz	125Hz	250Hz	500Hz	1KHz	2KHz	4KHz	8KHz
1. Surrounding Lw dB(A) 230V	60	56	31	36	51	50	50	49	43	33
1. Inlet Lw dB(A) 230V	60	59	47	52	54	54	48	48	44	33

DIMENSIONS



Voltage steps

1
230V