

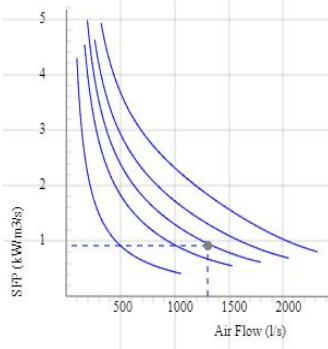
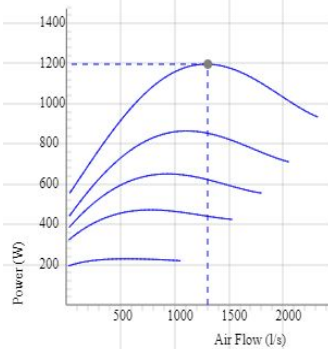
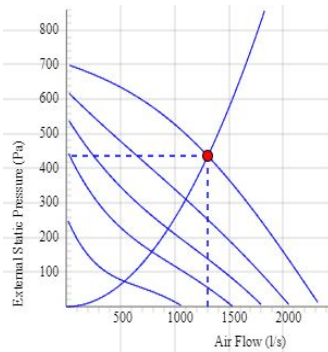


TKV 760 C3

- Roof fan with square connection.
- Vertical outlet.
- High performance and proven reliability.
- Operational in both 50 and 60 Hz.
- Impeller with backward curved blades.
- The external rotor motor has maintenance-free sealed ball-bearings.
- Integrated motor protection.
- Junction box has enclosure class IP 54.
- For speed control a transformer can be connected.
- Fan housing is manufactured from galvanized sheet steel which is polyester plastic coated in black as standard.
- Swing-up design to simplify maintenance and cleaning of the impeller.
- The easiest way to mount the roof fan is with a roof curb TFU.
- The fan complies with environmental requirement M2.

Accessories

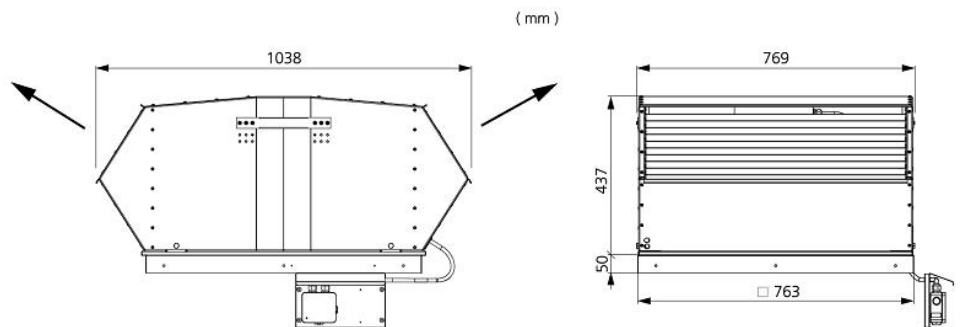
- VRTT 4
- VRDT 4
- TFU 760 'new'
- Connection plate TFU 760
- Back draught shutter TFU 760



TECHNICAL DATA	7351078 TKV 760 C3 Black	7351068 TKV 760 C3 Galv.	7351088 TKV 760 C3 Black C4
Voltage	400 V	400 V	400 V
Phase	3 ~	3 ~	3 ~
Frequency	50 Hz	50 Hz	50 Hz
Optional frequency	60 Hz	60 Hz	60 Hz
Power	1210 W	1210 W	1210 W
Current	2.7 A	2.7 A	2.7 A
Speed	1360 r.p.m.	1360 r.p.m.	1360 r.p.m.
Max. temperature of transported air	60 °C	60 °C	60 °C
Sound pressure level at 3 m	74 dB(A)	74 dB(A)	74 dB(A)
Weight	68.8 kg	68.8 kg	68.8 kg
Enclosure class	54 IP	54 IP	54 IP
Insulation class, motor	F	F	F
Capacitor	- µF	- µF	- µF
Max. flow @ 0Pa	2347 l/s	2347 l/s	2347 l/s
Max. pressure	697 Pa	697 Pa	697 Pa
Voltage range	380-415 V	380-415 V	380-415 V

SOUND DATA	Flow (l/s)	L _{wa} tot dB (A)	63Hz	125Hz	250Hz	500Hz	1KHz	2KHz	4KHz	8KHz
5. Surrounding Lw dB(A) 400V	1913	81	52	71	73	76	75	72	70	67
5. Inlet Lw dB(A) 400V	1913	83	62	72	75	76	73	73	73	75
4. Inlet Lw dB(A) 240V	1652	79	61	70	72	73	69	70	69	71
3. Inlet Lw dB(A) 185V	1444	76	59	69	69	69	66	67	68	66
2. Inlet Lw dB(A) 145V	1194	72	59	65	64	63	60	63	66	52
1. Inlet Lw dB(A) 95V	864	65	55	54	55	54	53	58	60	39

DIMENSIONS



Voltage steps

1	2	3	4	5
95V	145V	185V	240V	400V