



Technical parameters

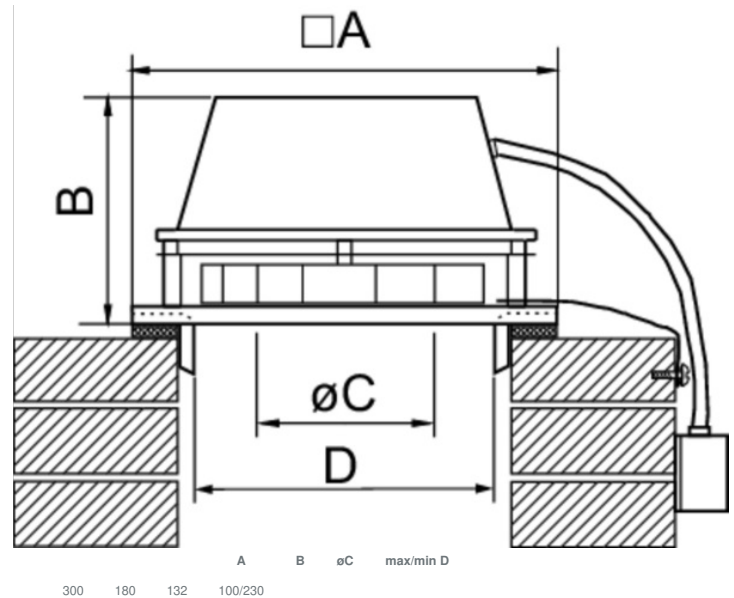
Nominal data	
Voltage (nominal)	230 V
Frequency	50 Hz
Phases	1~
Input power	56 W
Input power kW	0.056 kW
Input current	0.26 A
Impeller speed	2,746 rpm
Air flow	max 518 m ³ /h
Capacitance of capacitor	2 μF
Temperature of transported air	max 200 °C
Sound data	
Sound pressure level at 10m (free field)	41 dB(A)
Protection/Classification	
Enclosure class, motor	IP44
Insulation class	F
Data according to ErP	
ErP ready	Not ErP relevant
Dimensions and weights	
Weight	8.2 kg
Others	
Color name, casing	Black
Motor type	AC

Roof fan that easily tackles draughts, smoke and gas from your chimney

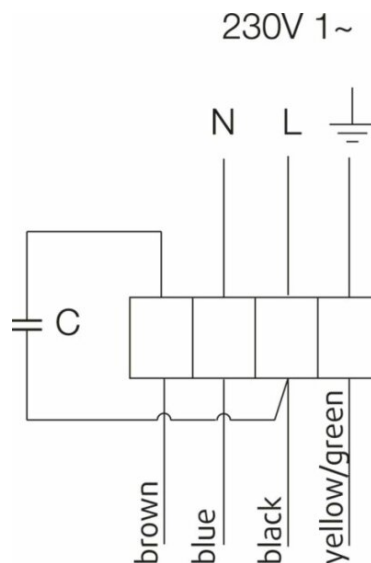
- Special fan for chimneys - transfer high temperature gases up to 200°C
- Simple installation with brackets included
- Robust and compact design

[Find more details in our online catalogue](#)

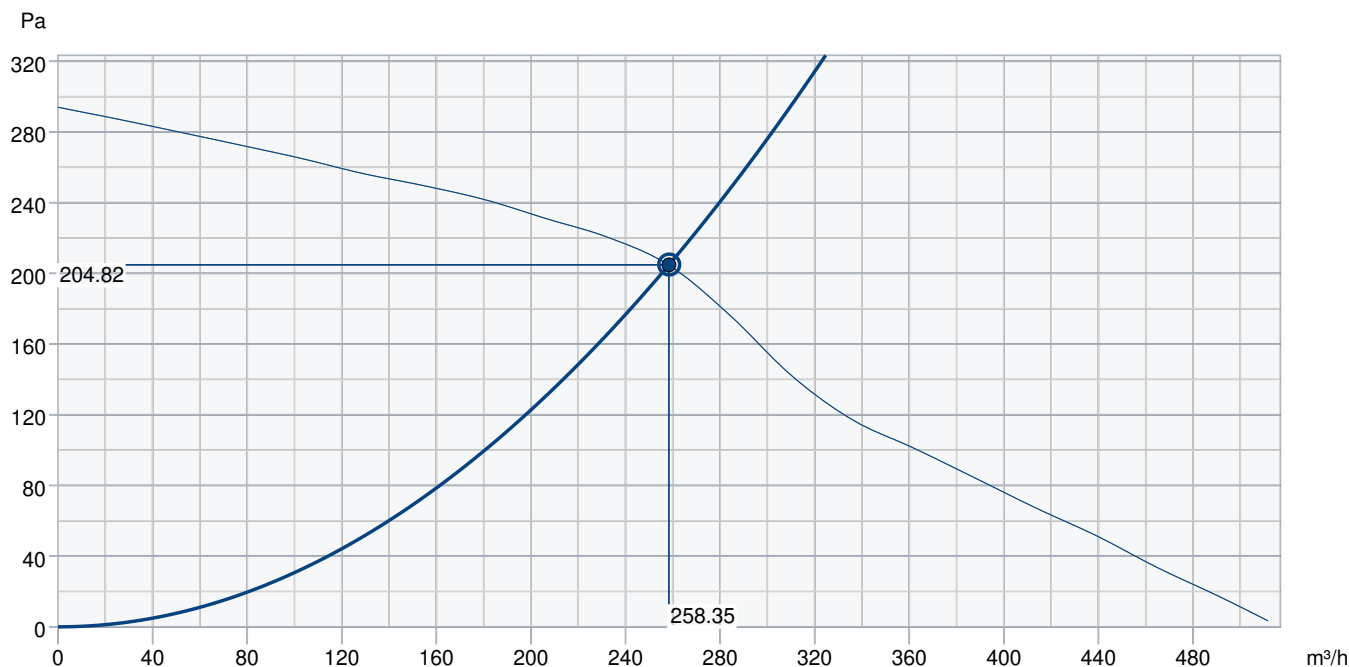
Dimension



Wiring



Performance curve



Hydraulic data

Required air flow	258 m³/h
Required static pressure	205 Pa
Working air flow	258 m³/h
Working static pressure	205 Pa
Air density	1.204 kg/m³
Power	73.4 W
Fan control - RPM	2,547 rpm
Current	0.32 A
SFP	1.023 kW/m³/s
Control voltage	230.0 V
Supply voltage	230 V

Sound power level		63	125	250	500	1k	2k	4k	8k	Total
Inlet	dB(A)	33	48	60	62	60	58	50	48	67
Outlet	dB(A)	33	51	68	66	68	66	60	55	73

Accessories

RE 1,5 Speed control (5000)

REE 1 Speed control (5314)

Safety switch 2-pole grey (210679)

Documents

INSTALLATION_OPERATION_AND_MAINTENANCE_INSTRUCTION_ZRS_EN_003.PDF

COMMISSIONING_RECORD_FANS_EN.PDF